



LL-BL9ICLED-NND



LL-BL9ICLED-RND

Description

6" LED Dedicated Cans

Features:

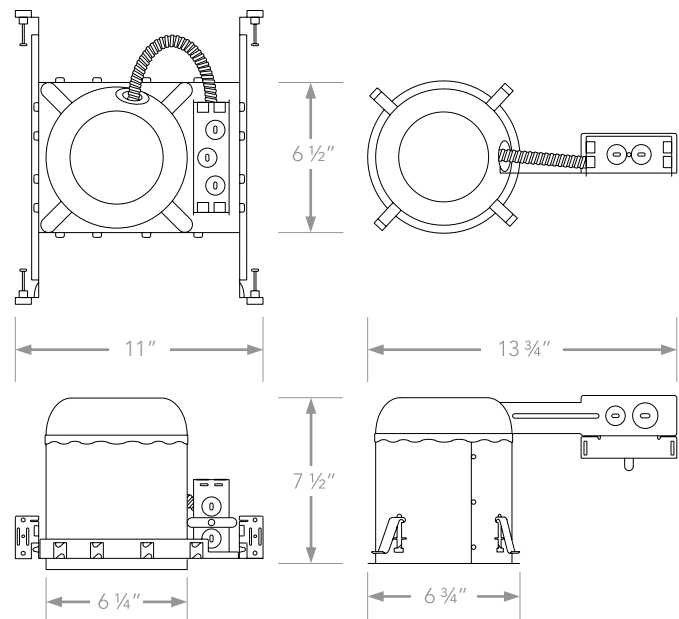
- Dedicated housings for 6" LED trims
- Suitable for new construction or remodel applications.
- Galvanized steel construction.
- New construction model comes standard with nail for easy install.
- Bar hangers for use with new construction models are adjustable from 13.6" to 25" and can be positioned up to 90°.
- Remodel cans install into existing material with no above ceiling access required.
- Remodel cans come standard with four torsion clips to secure housing – accommodates 0.5" and 0.6" ceilings.
- Contains one 1.1" and six 0.9" knockouts and four romex pry-outs with strain relief.
- 2-pin snap-in connector for easy connection to LED trims.
- This device is not intended for use with emergency exits.

Warranty/Listing:

- cULus listed for damp locations
- Listed for through-branch wiring
- Title 24 compliant
- Energy Star qualified
- 10-year warranty of all electronics and housing.



Dimensions





Project Name	
Catalog #	
Job Type	
Prepared By	
Notes	

Fixture Ordering Information

Model	Description
LL-BL9ICLED-NND	6" IC LED Dedicated Can For New Construction
LL-BL9ICLED-RND	6" IC LED Dedicated Can For Remodel Applications