

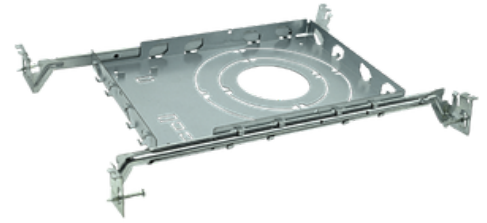


Universal Mounting Kit for 3", 4", 6" Canless Fixtures

LL-MP-UD346-NC

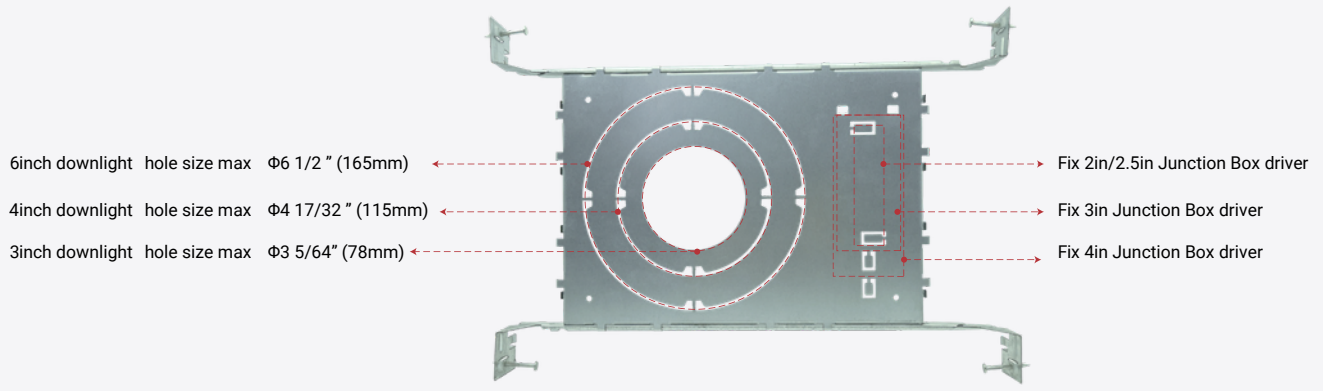
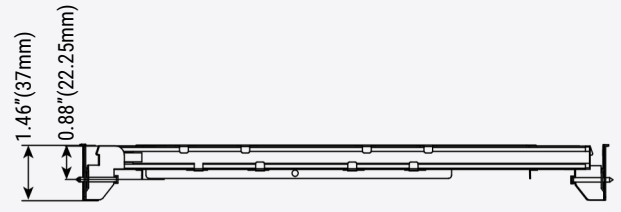
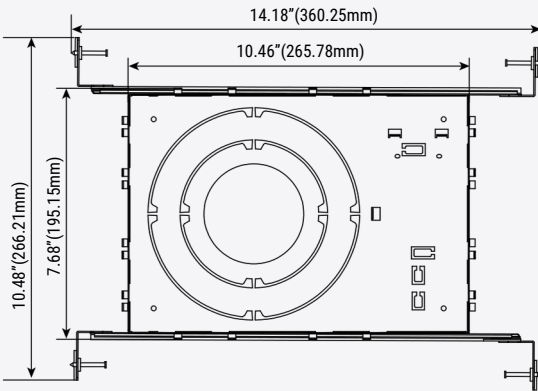
Universal Mounting Kit for 3", 4", 6" Canless Fixtures

The LITELUME™ LL-MP-UD346-NC Mounting Plate for recessed downlight. Suitable for canless fixtures.



MATERIAL	MOUNTING	FEATURES
<ul style="list-style-type: none"> Galvanized Iron 	<ul style="list-style-type: none"> Recessed Suitable for new construction joist & T-Grid applications 	<ul style="list-style-type: none"> Suitable for light type: 3 / 4 / 6 inch downlight Compatible with 3 types of hole size Equipped with a power card slot, easy to install Bar hangers extendable from 14.25" to 25"

DIMENSIONS





Universal Mounting Kit for 3", 4", 6" Canless Fixtures

PROJECT NAME	
CATALOG #	
JOB TYPE	
PREPARED BY	
NOTES	

COMPATIBLE FIXTURE TYPES

Canless Flat-Panel	Commercial Retrofit *	Canless Recessed Baffled	Canless Floating Gimbal
LL-FPR3 LL-FPR4 LL-FPR6	LL-CDR4 LL-CDR6	LL-IMODCR4 LL-IMODCR6	LL-IFG3 LL-IFG4 LL-IFG6

* LL-CDR fixtures do not come equipped with a junction box. Installer must supply junction box for wiring in compliance with electrical code.

ORDERING GUIDE

Brand	Product Type	Style	Can Size	Application
LL LITELUME	MP Mounting Plate	UD Universal Downlight	346 3", 4", 6"	NC New Construction

FIXTURE ORDERING INFORMATION

Part #	Description
LL-MP-UD346-NC	Universal Mounting Kit for 3", 4", 6" Canless Fixtures