



12-24V DC 0-10V Microwave Bi-Level Motion Sensor



IP65



ANT-11-4T

12-24V DC 0-10V Microwave Bi-Level Motion Sensor

The ANT-11-4T low voltage Microwave b-level motion sensor provides 3 levels of light control based on motion and/or daylight contribution. It controls 0-10VDC LED drivers or dimming ballasts and as rated for wet and cold locations. All control parameters are adjustable via a wireless configuration tool.



SPECIFICATIONS

Power Supply	Dim Control Output	HF System	Detection Radius/Angle
12V–24V DC	0-10V, max. 25mA sinking current	5.8GHz±75MHz	Max 26ft.(8m)/360°
Mounting Height	Remote Range	Humidity	Temperature
Max 40ft	50ft. (15m) indoor, no backlight	Max. 95% RH	-40°F ~ 158°F (-40°C ~ 70°C)

NOTE: The high-frequency output of this sensor is <math><0.2\text{mW}</math>—that is just one 5000th of the transmission power of a mobile phone or the output of a microwave oven.



Transmission power<math><0.2\text{mW}</math>

⚠ WARNING

NOTE: Factory Default Setting: Brightness: 100%, 100% sensitivity, Hold on time: 5min, Daylight sensor is ☀, Dimming level: 30%, Dimming time: +∞



ANT-11-4T
(Sensor)



ANT-11-4T-4B
(Base)



**ANT-11-4T &
ANT-11-4T-4B**



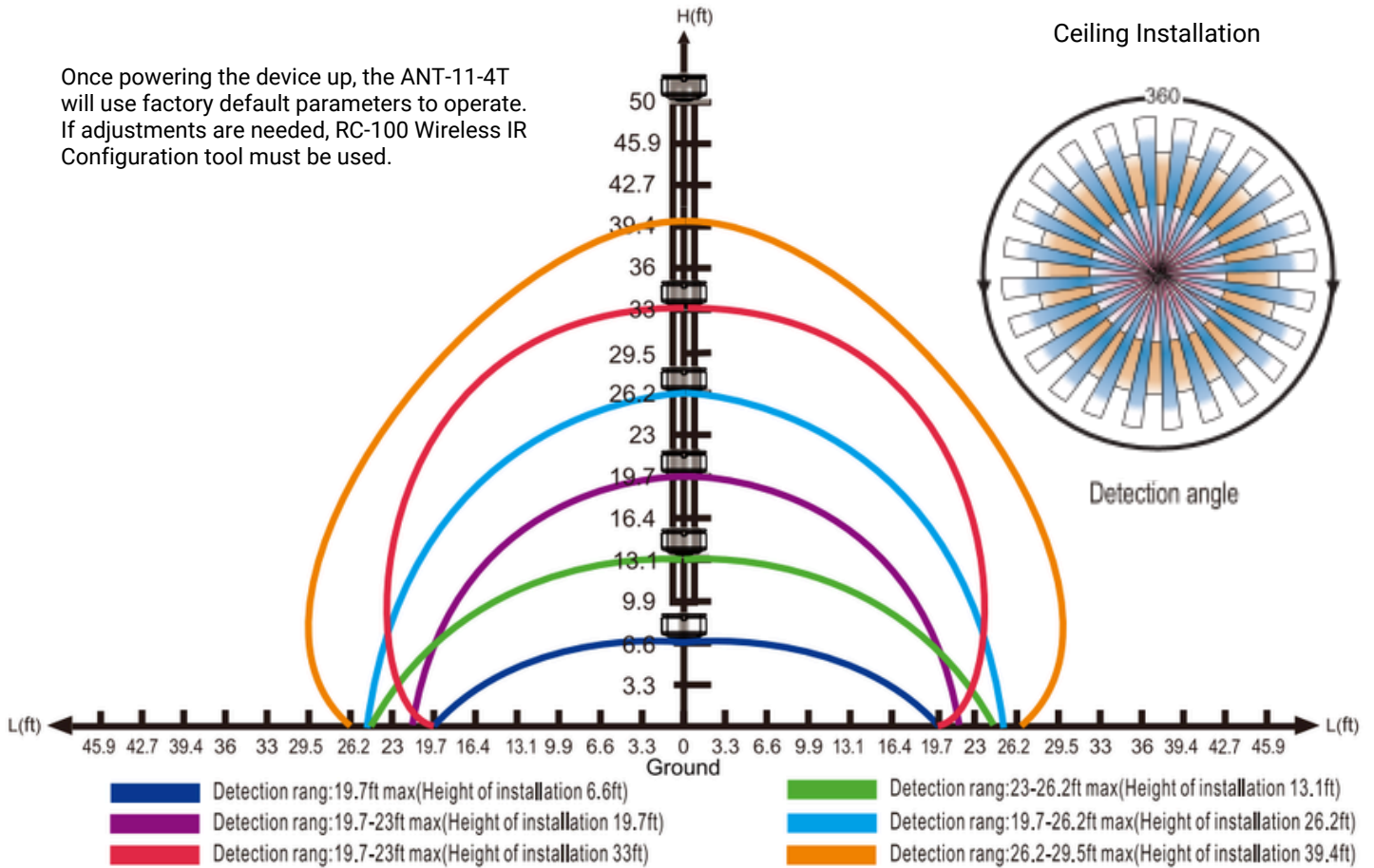
RC-100



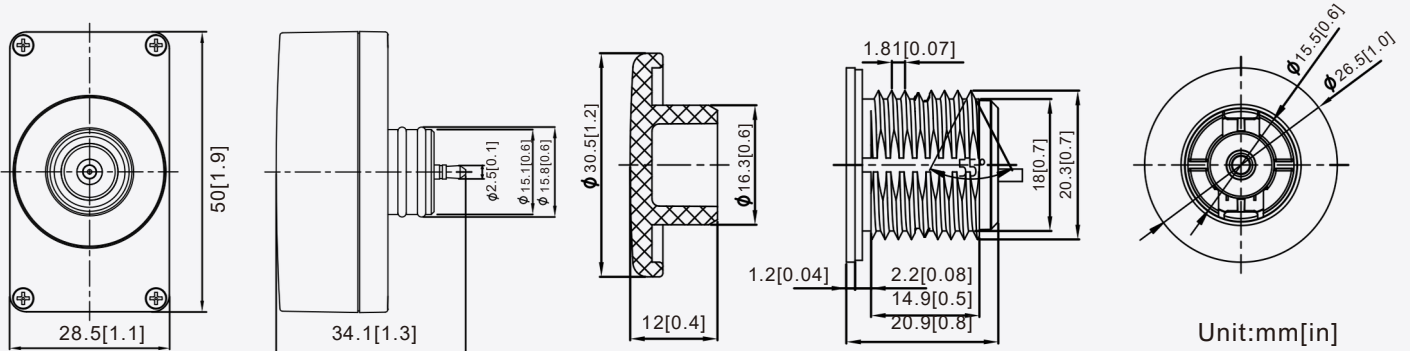
12-24V DC 0-10V Microwave Bi-Level Motion Sensor

SENSOR COVERAGE

Once powering the device up, the ANT-11-4T will use factory default parameters to operate. If adjustments are needed, RC-100 Wireless IR Configuration tool must be used.



DIMENSIONS





12-24V DC 0-10V Microwave Bi-Level Motion Sensor

UTILIZING FIELD AND INTRODUCTION

ANT-11-4T is a moving object sensor that can detect a range of 360°, and its working frequency is 5.8GHz. The advantage of this product is stable working state (stable working temperature: -40°C~+70°C). ANT-11-4T adopts a microwave sensor (high-frequency output <0.2mW), so that it is safe and performs better than an infrared sensor.

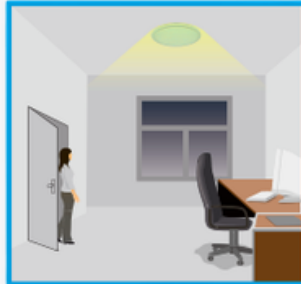
Function and Options

It offers 3 levels of light control: 100%→dimming light (0, 10%, 30%, 50%)→off; Periods of selectable waiting time: motion hold-time and 24hours, selectable daylight threshold, and freedom of detection area.

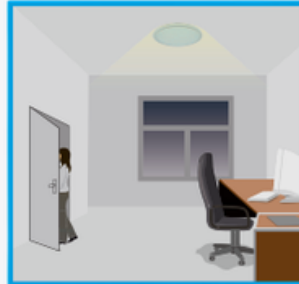
If natural light level is lower than light-control setting (10Lux, 30Lux, 50Lux), the light will not automatically turn on (0, 10%, 30%, 50%). When person enters the room, the light turns on 100%. After person leaves, the room enters stand-by level after hold time.



With sufficient natural light, the light does not switch on when presence detected.



With insufficient natural light, the sensor switches on the light automatically when person enters the (options) standby level after the room. The lamp never switches off with presence, even if the natural light is sufficient.

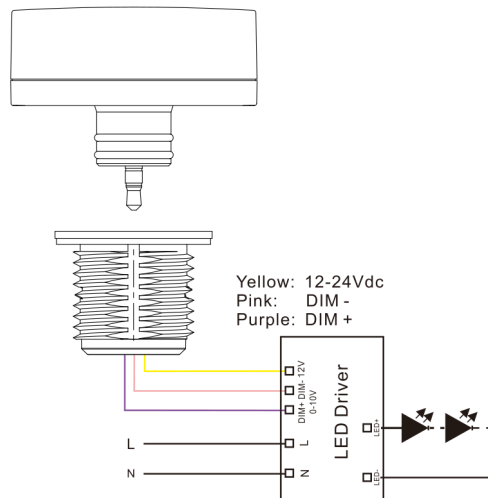


After people leave, the light still dims to 0/10/30/50% (options) standby level after the hold time.



Light switches off automatically after the dimming time elapsed.

Wiring Diagram





12-24V DC 0-10V Microwave Bi-Level Motion Sensor

PROJECT NAME	
CATALOG #	
JOB TYPE	
PREPARED BY	
NOTES	

ORDERING INFORMATION

Part #	Description
ANT-11-4T	Sharkward 12-24V DC 0-10V Microwave Bi-Level Motion Sensor