



Wallpack Curve – Full Cutoff



Description

The LITELUME™ Wallpack Curve – Full Cutoff (LL-WPCFC) is a Dark Sky compliant LED fixture with a durable polycarbonate optical lens.

Applications: Entryways, Pathway, Perimeter and Security lighting.

Fixture Information

Size:	28W/42W/56W/70W
Housing:	Die-cast Aluminum Housing
Finish:	Protective powder coat
Color:	Standard: Bronze Custom Options: Black (BK) White (WH) Grey (GY)
Mounting:	Standard: Wall Mount
Lens:	Polycarbonate
CRI:	80
Power Factor:	.90
Operating Temperature:	-22°F to 113°F
Dimming:	Standard: 0-10V continuous
Sensor:	Standard: Button Photocell (120-277V) & Photocell Plug
Voltage:	Standard: 120-277V
Warranty:	10-Year Limited Warranty

Performance Data

Lumen Output:

4,116 to 9,800 lm

Lumens Per Watt (typical):

140 lm/W

CCT:

3000K

4000K

5000K

Distribution:

99.5x77.6°

Lifespan:

Up to 100,000 running hours

Ratings & Certificates

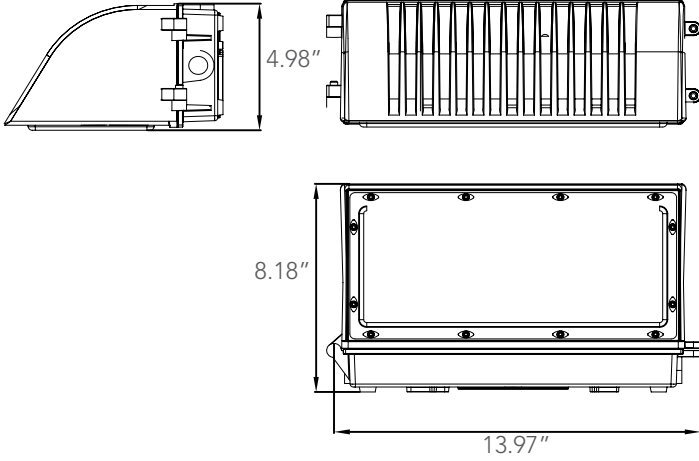
UL Listed For Wet Location
Dark Sky Compliant





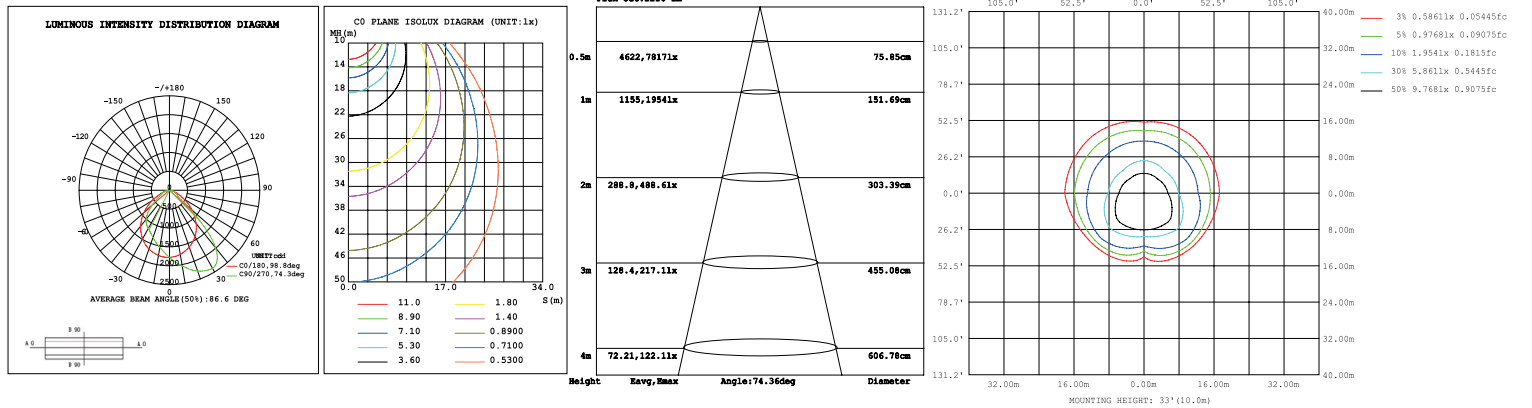
Dimension

Item	Wide	Depth	Height	Weight
LL-WPCFC	13.97"	8.18"	4.98"	6.26 lbs

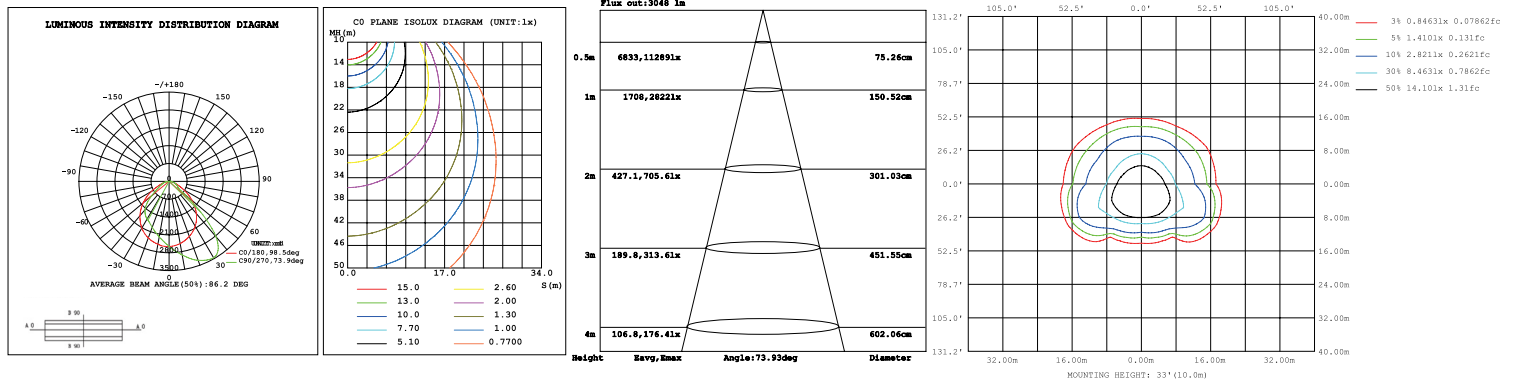


Photometrics

28W-4000K

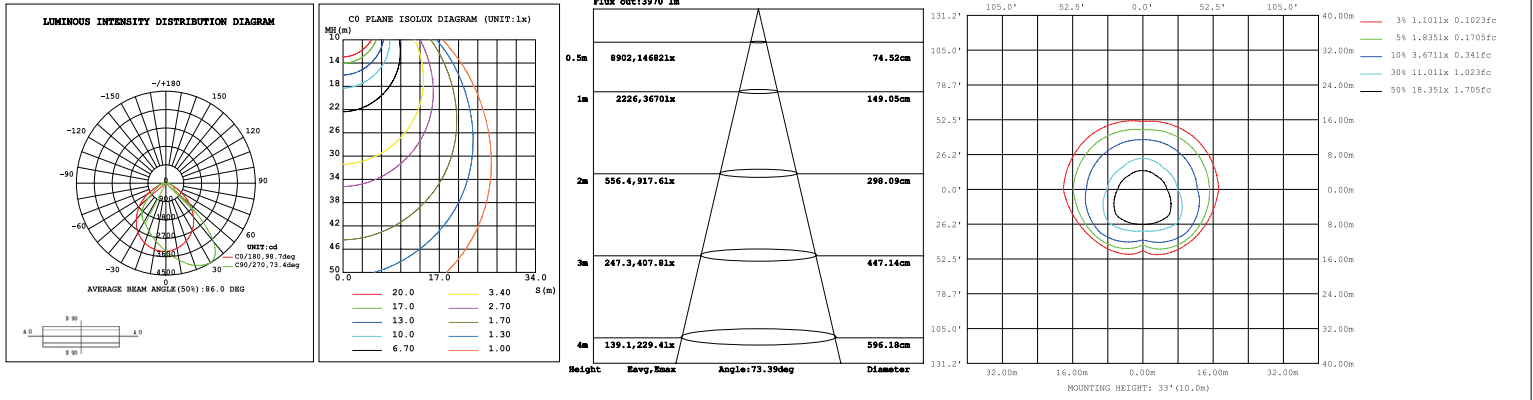


42W-4000K

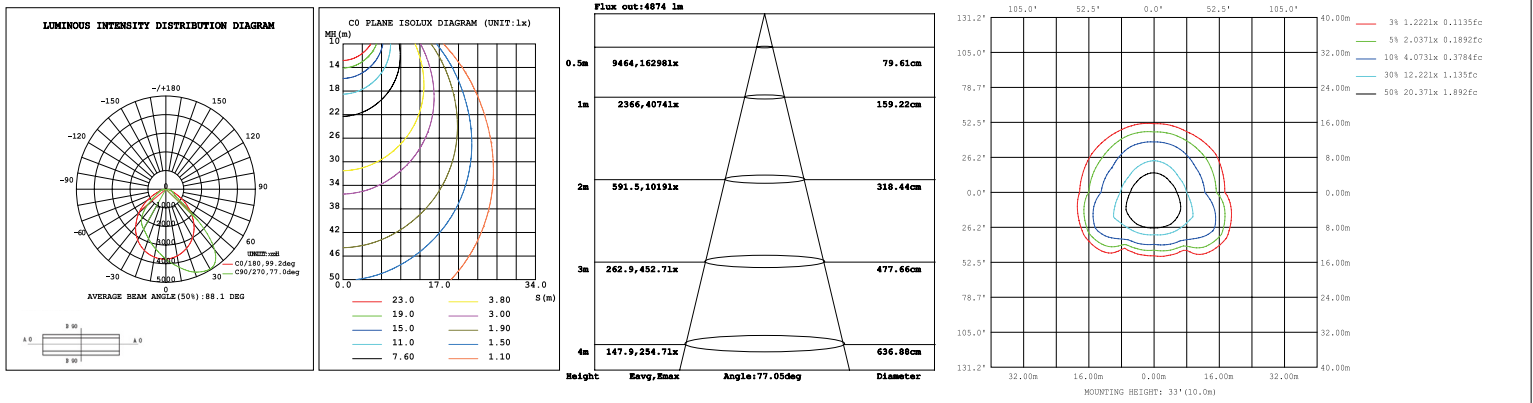




56W-4000K



70W-4000K





Project Name	
Catalog #	
Job Type	
Prepared By	
Notes	

Fixture Ordering Information

Part #	Wattage	Lumens	Kelvin	Voltage	Distribution
LL-WPCFC-[28][42][56][70]-3CCT-UNV-BZ-PC	28W/42W/56W/70W	4116/6174/7840/9800	3000K 4000K 5000K	120-277	99.5 X 77.6°

* Please contact LITELUME for all Custom Option Requests