



Bollard Spec Series Installation Instructions

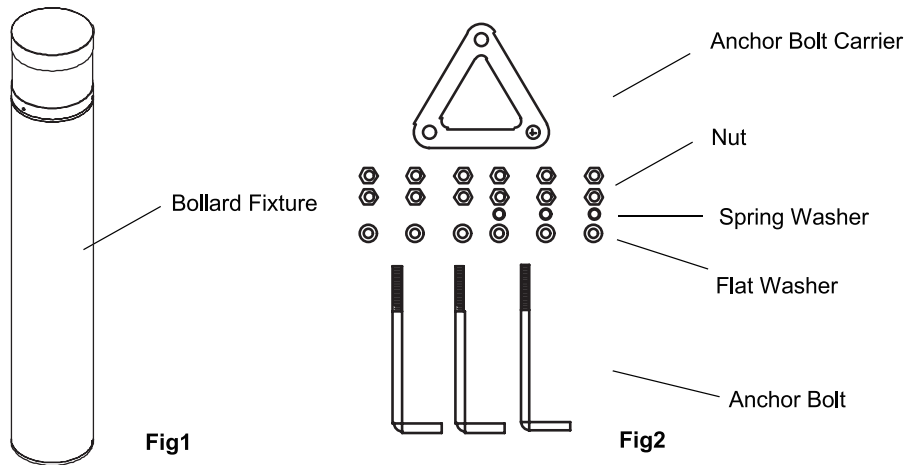
Warning

PLEASE READ ALL INSTRUCTIONS BEFORE ATTEMPTING INSTALLATION

- Risk of electric shock-Disconnect power to equipment before installing or servicing.
- This equipment must be installed according to all applicable codes & ordinances.
- Installation and service of this equipment must be performed by qualified service personnel.
- Read these instructions before installing, servicing or maintaining this equipment.
- Save these instructions for maintaining and servicing.
- The installer must ensure that the foundation is stable and can support the luminaire's weight.
- The installer must use proper means to secure the luminaire to the ground.
- Edges may cut--wear gloves while handling or servicing this equipment.
- Inspect equipment for damage from shipping and handling.
- Recommended cleaning substances:
 - Wipe off dust with a dry, soft cloth. Remove greasy spots etc. with a soft cloth dampened in lukewarm water (<122°F/ 50°C) with a mild detergent.
 - Never use detergents containing abrasives and solvents.
 - Warning: Scouring powder and similar substances will scratch surfaces.

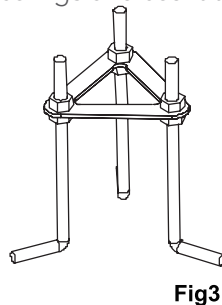
Luminaire Preparation

Remove the luminaire (Fig 1) and accessories (Fig 2) from the carton and inspect luminaire for damage. Do not install a damaged luminaire.



Installation

1. Prepare site. Get the anchor bolt carrier assembled as Fig3 and use it to determine placement of anchor bolts in concrete.





Bollard Spec Series Installation Instructions

2. Ensure that concrete base is suitable for the bollard load.

3. Install three anchor bolts into concrete as per Fig4 having at least 1-1/2~2" protruding from concrete with threads free and clear of debris and dirt.

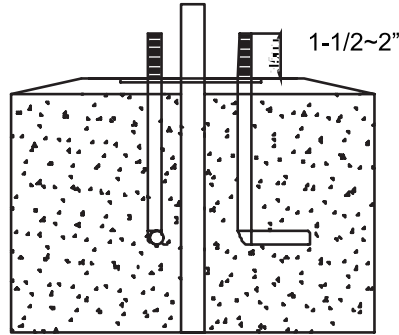


Fig4

4. Disassemble the fixture by loosening the set screws x3 with hex wrench. (Fig5)

5. Quick disconnect bollard and move away from the base. (Fig6)

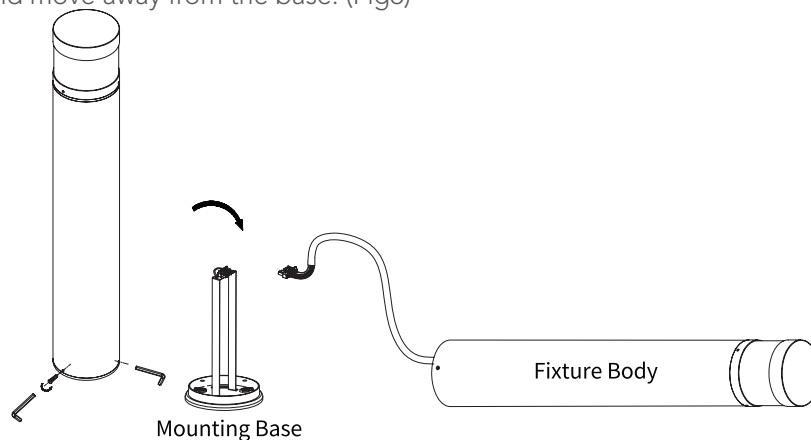


Fig5

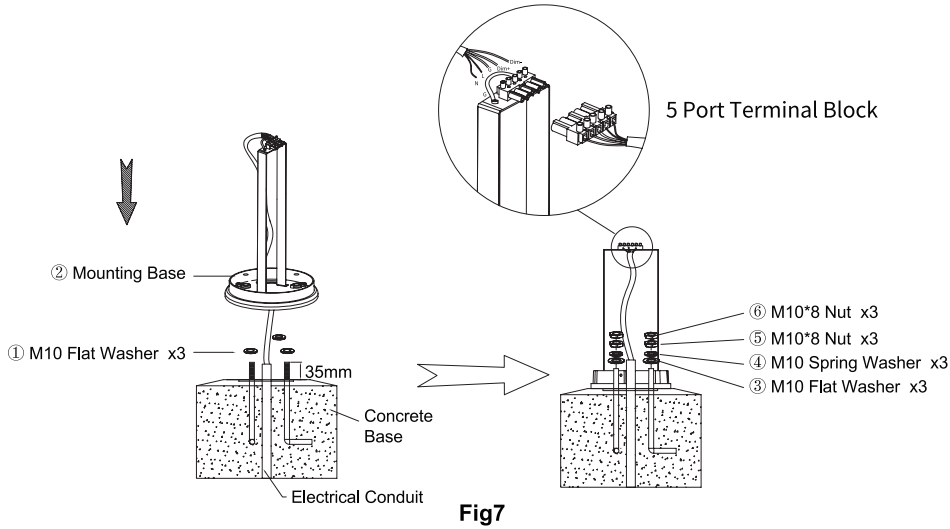
Fig6

6. Place bollard base over anchor bolts and tighten nuts securing the base plate to the foundation.

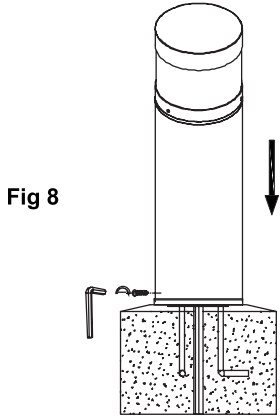
7. As Fig7 shown, get male and female plug connected. Mount supplied ground wire to the same terminal as existing ground wire (double wire in grounding terminal). Then, double check to make sure the wires are in good connection after the base installation.



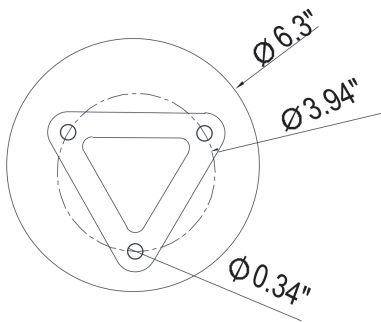
Bollard Spec Series Installation Instructions



8. Put back the fixture body, and tighten the set screws x3 with hex wrench. (Fig8)



Bollard Anchor Bolt Guide



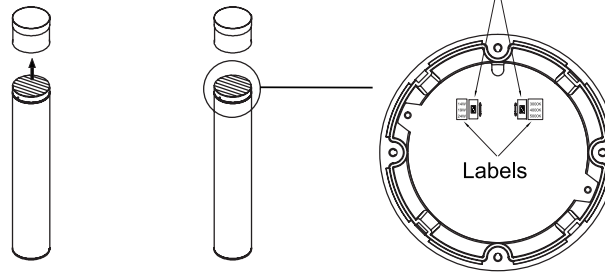


Bollard Spec Series Installation Instructions

Dial Switches Diagram

Loosen 4 screws,
open the top of the fixture

Dial Switches for Watt & CCT Selection



Dial Switches Diagram

