



# 6" Recessed Integrated Module Downlight



## LL-IMODCR6

### 6" Recessed Integrated Module Downlight

The LITELUME™ LL-IMODCR6 recessed canless integrated module downlight delivers a modern versatile look with aesthetic appeal. Field selectable performance with 5 CCT options ranging from 2700K to 5000K. Available in 6", featuring a Polycarbonate diffuser. with white baffle reflector. Easy installation with its integrated J-box, mounts directly in a hole cut into drywall or ceiling panel, or pair it with our universal new construction mounting plate for use with joist and T-grid ceilings.



#### PERFORMANCE DATA

Lumen Output	1200 lm
Lumens Per Watt (typical)	103 lm/W
CCT - Field Selectable	2700K 3000K 3500K 4000K 5000K
Lifespan	139,000 hrs

#### RATINGS & CERTIFICATES

Energy Star • FCC • IC Rated • cETLus  
Wet • Title 24 • JA8 • Interior / Exterior

#### APPLICATIONS

New Construction • Retrofit & Remodel

#### FIXTURE INFORMATION

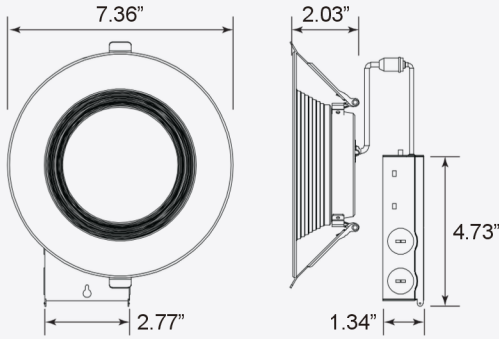
Size	Housing	Finish	Optics	Trim	Beam Angle	Color	
14W	White Aluminum	Premium Powder Coat	Polycarbonate Diffuser	Baffle	100°	White	
Voltage	Dimming		Electrical	PF	THD	CRI	Warranty
120V	Triac Dimming @ 120V	Range: 1%	1kV Surge Protection	>.90	<20%	90	10 Year

Operating Temperature: -4°F to 113°F



# 6" Recessed Integrated Module Downlight

## DIMENSIONS



Length (in)	Width (in)	Height (in)	Weight (lbs)
7.36	7.36	2.03	0.76
Junction Box Size (in)		4.73 x 2.77 x 1.34	

## LUMEN TABLES

Measurements	Lumens				
	2700K	3000K	3500K	4000K	5000K
Lumens	1233	1330	1396	1403	1281
Watts	14.15	13.90	13.49	13.61	14.44
Efficacy	87.14	95.68	103.48	103.09	88.71

## COMPATIBLE DIMMERS AND CONTROLS

Manufacturer	Model Number		
Lutron	TG-600PR-WH	SLV-600P-AL	DVCL-153P
	S-600PR-WH	DV-600PR-WH	MSCL-OP153M
	CTCL-153PDH-WH	SCL-153PH-WH	PD-6WCL
	TGCL-153PH-LA	GT-600P	MACL-153M//MA-R
Leviton	6672	6674	IPL06
	RNL06	DSL06	-



# 6" Recessed Integrated Module Downlight

PROJECT NAME	
CATALOG #	
JOB TYPE	
PREPARED BY	
NOTES	

## ORDERING GUIDE

Brand	Fixture Type	Lumen Package	CCT
LL LITELUME	<b>IMODCR6</b> 6" Round Recessed Integrated Module	12L 1200 Lumens	<b>KFS</b> Kelvin Field Selectable

## FIXTURE ORDERING INFORMATION

Part #	Watts	Lumens	Kelvin	Voltage
LL-IMODCR6-12L-KFS	14W	1200	5 CCT	120