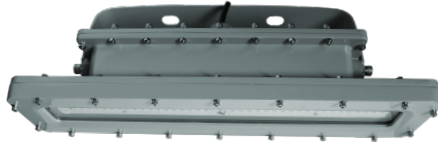




Linear Explosion Proof



Description

The Litelume Linear Explosion Proof (LL-L2EP/LL-L4EP) Class 1, Division 1 Luminaire is available with a clear tempered glass lens. Typical lighting applications include industrial facilities, marine vessels, mining, chemical production & processing, oil & gas refineries and high humidity, dust and temperature facilities.

Fixture Information

Size:	20W/40W/60W/80W/100W/120W
Housing:	Die-cast Aluminum Housing
Finish:	Powder Coat Finish Over a Chromate Conversion Coating
Color:	Standard: Grey
Mounting:	Standard: Ceiling Mount, Pendant Mount
Lens:	Clear Tempered Glass
CRI:	80
Dimming:	Standard: 0-10V
Temperature:	-25°C to +50°C
Voltage:	Standard: 120-277V Optional: 277-480V
Power Factor:	>.90
Surge Protector:	6 kVA
Warranty:	10-Year Limited Warranty

Performance Data

Lumen Output:

2,660 to 16,800 lm

Lumens Per Watt (typical):

133 to 140 lm/W

CCT:

4000K
5000K

Distribution:

Standard: 120 Degree
Optional: 40,60 & 90 Degree

Lifespan:

Features Meanwell Driver & up to 100,000 running hours

Ratings & Certificates

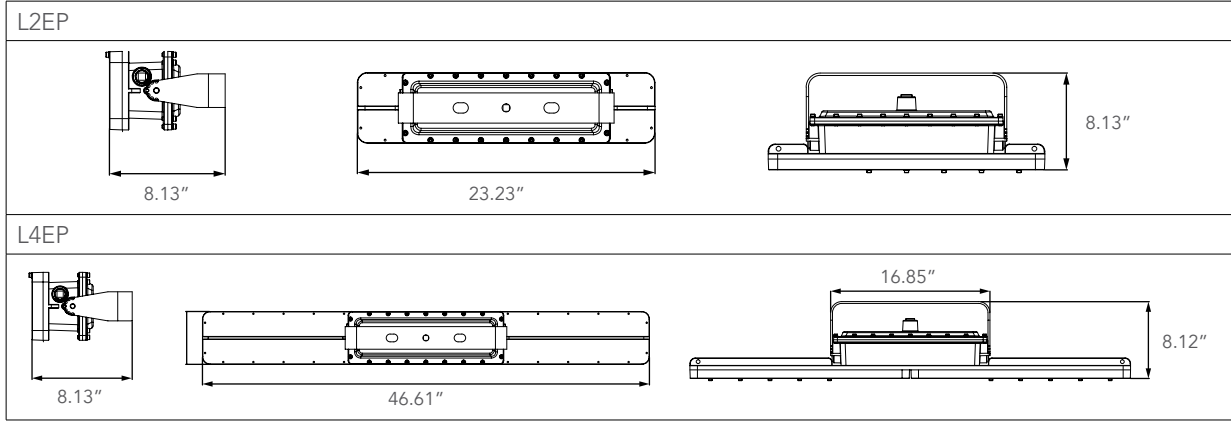
Marking Atex
II2 G Ex db op is IIB T4/T5 Gb
II2 D Ex op is tb IIIC T135°C Db IP66
Marking IECEx
Ex db op is IIB T4/T5 Gb
Ex op is tb IIIC T135°C Db IP66
Marking UL844(North American)
Class I, Division 1, Groups C, D
Class I, Division 2, Groups A, B, C, D
Class II, Division 1, Groups E, F, G
Class II, Division 2, Groups F, G
Class III
Marking Marine
UL1598, UL1598A
ABS
Other Rating
IP 66



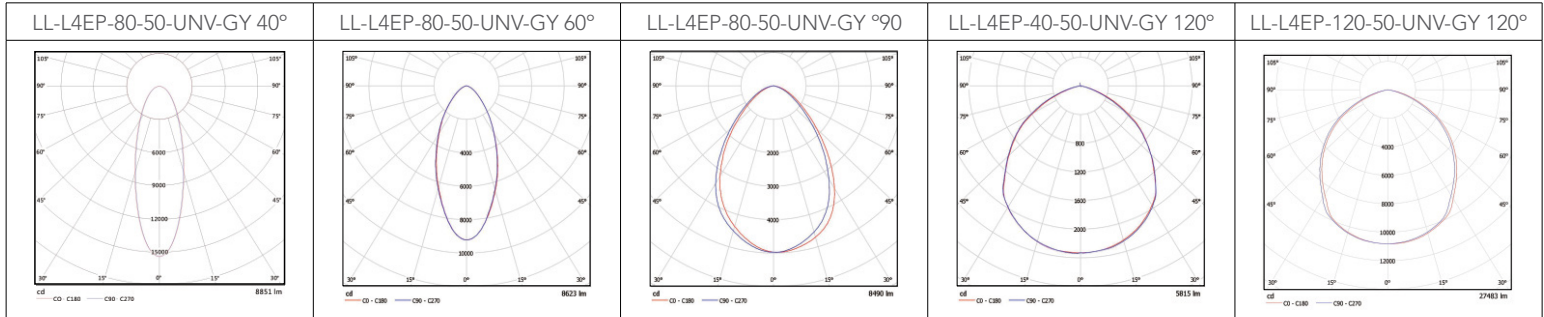


Dimension

Item	Height	Width	Length
L2EP	8.13"	8.13"	23.23"
L4EP	8.12"	8.13"	46.61"



Photometrics





Project Name	
Catalog #	
Job Type	
Prepared By	
Notes	

Fixture Ordering Information

Part #	Wattage	Lumens	Kelvin	Voltage	Distribution
LL-L2EP-20-50-UNV-GY	20	2800	5000	120-277V	120
LL-L2EP-20-40-UNV-GY	20	2660	4000	120-277	120
LL-L2EP-40-50-UNV-GY	40	5600	5000	120-277	120
LL-L2EP-40-40-UNV-GY	40	5320	4000	120-277	120
LL-L2EP-60-50-UNV-GY	60	8400	5000	120-277	120
LL-L2EP-60-40-UNV-GY	60	7980	4000	120-277	120
LL-L4EP-40-50-UNV-GY	40	5600	5000	120-277	120
LL-L4EP-40-40-UNV-GY	40	5320	4000	120-277	120
LL-L4EP-60-50-UNV-GY	60	8400	5000	120-277	120
LL-L4EP-60-40-UNV-GY	60	7980	4000	120-277	120
LL-L4EP-80-50-UNV-GY	80	11200	5000	120-277	120
LL-L4EP-80-40-UNV-GY	80	10640	4000	120-277	120
LL-L4EP-100-50-UNV-GY	100	14000	5000	120-277	120
LL-L4EP-100-40-UNV-GY	100	13300	4000	120-277	120
LL-L4EP-120-50-UNV-GY	120	16800	5000	120-277	120
LL-L4EP-120-40-UNV-GY	120	15960	4000	120-277	120

Distribution Type Ordering Information (Standard:120°)

Part #	Description
40D	40°
60D	60°
90D	90°

* Please contact LITELUME for all Custom Option Requests

Accessories Ordering Information

Part #	Description
SUB "UNV" WITH "HV"	277-480 Volt
EM15X	Emergency Battery Back Up 15W Exclusive **120-277V ONLY** / **20W - 100W ONLY**

* Please contact LITELUME for all Custom Option Requests