



# Flood Light Hazardous Location



## Description

The Litelume Flood Light Hazardous Location (LL-FLHL) Class 1, Division 2 is available with a clear tempered glass lens. Typical lighting applications include industrial facilities, oil, gas, painting facilities, manufacturing, and auto service facilities.

## Fixture Information

Size:	132W
Housing:	Die-cast Aluminum Housing
Finish:	Protective powdercoat
Color:	Standard: Grey
Mounting:	Standard: Yoke Mount Optional: Stanchion mount up to 2 3/8" OD
Lens:	Clear Tempered Glass
CRI:	80
Temperature:	-40°C to +50°C
Voltage:	Standard: 120-277V
Power Factor:	>.90
Surge Protector:	6 kVA
Warranty:	10-Year Limited Warranty

## Performance Data

### Lumen Output:

14,482 to 15,046 lm

### Lumens Per Watt (typical):

104 to 108 lm/W

### CCT:

4000K

5000K

### Lifespan:

329,000 hrs @ 25°C

## Ratings & Certificates

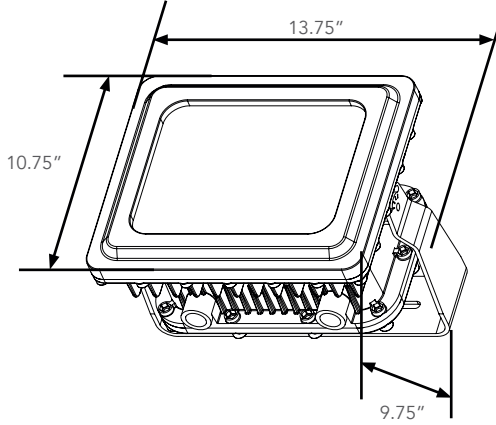
ETL Listed for Hazardous Locations Per UL844 as Follows: Class 1, Division 2 Groups A, B, C, D; T4 Temperature Rating, -25°C to +50°C Ambient. Suitable for Wet Locations, Sealed LED Compartment



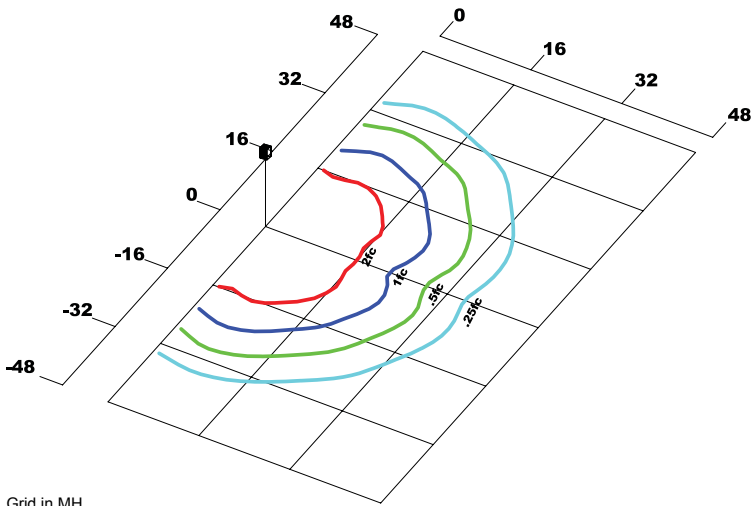


### Dimension

Item	Height	Width	Length	Weight
132W	10.75"	13.75"	9.75"	14 lb



### Photometrics



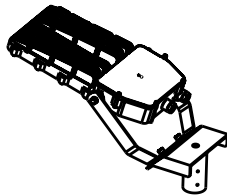
Grid in MH  
MH=16 Feet

### Mounting

#### Stanchion Mount



Stanchion Mount





<b>Project Name</b>	
<b>Catalog #</b>	
<b>Job Type</b>	
<b>Prepared By</b>	
<b>Notes</b>	

### Fixture Ordering Information

Part #	Wattage	Lumens	Kelvin	Voltage	Color	Mounting
LL-FLHL-132-50-UNV-GY-Y	132	15046	5000	120-277	Grey	Yoke
LL-FLHL-132-40-UNV-GY-Y	132	14482	4000	120-277	Grey	Yoke

### Accessories Ordering Information

Part #	Description
SP	Surge Protection
FLHLSM	Stanchion Mounting FLHL

\* Please contact LITELUME for all Custom Option Requests