



## Description

The HBP-111 occupancy sensor is designed for automatic lighting control in high or low bay applications. It contains a passive infrared (PIR) sensor and a lens engineered to provide reliable coverage from a wide range of mounting heights. Sensitivity and time delay adjustments are set using trimpots conveniently located on the sensor and can also be adjusted remotely using a handheld configuration tool (FSIR-100). The HBP-111 includes a hold-off daylight light level feature to prevent lighting from turning on when occupancy is detected when there is sufficient ambient light available.

## Specifications

- Relay load ratings:
  - 120VAC, 60Hz: 0-1000VA, 1/4hp
  - 230VAC, 50/60Hz: 0-1000VA
  - 277VAC, 60Hz: 0-1200VA, 1/4hp
  - 347VAC, 60Hz: 0-1500VA, 1/4hp
- Compatible load types: Tungsten, electronic and magnetic ballasts, fluorescent and LED
- Time delay (5, 10, 15, 20, 30 min. via trimpot; 1-30 min. via FSIR-100; default 15 min.)
- Hold-off light level (1-300fc; default 300fc; disable hold-off light level via FSIR-100)
- Sensitivity (max, med, low via trimpot or FSIR-100; default max)
- Push button functions: manual mode, test mode, service mode, fail-on mode, fail-off mode, factory default, burn-in mode, walk-through mode, visual alert, service mode
- Operating conditions: Temperature 32-158°F (0-70°C); Humidity 5-95%, non-condensing
- Indoor use only
- Materials: ABS, flame retardant, impact resistant

## Features

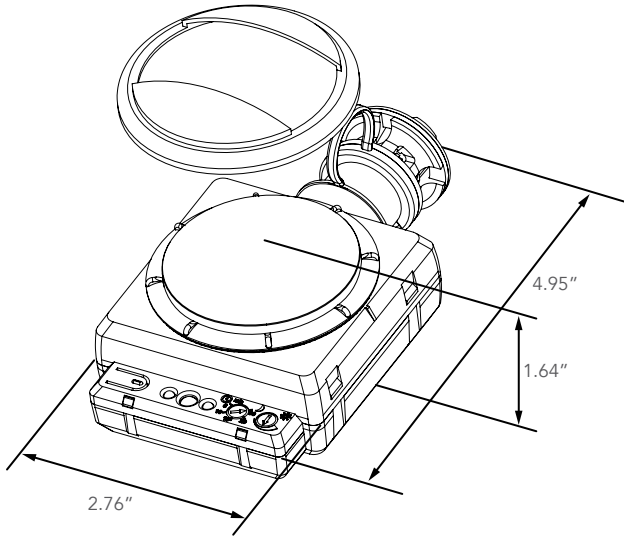
- LED indicator of occupancy detection for easy verification of coverage
- Convenient access to trimpots for adjusting Time Delay and Light Level settings
- Flexible mounting options
- Multi-cell, multi-tier Fresnel lens
- Durable materials for optimal performance in challenging indoor high bay settings
- Zero crossing circuitry reduces stress on relay and extends sensor life
- Detection signature analysis eliminates false triggers; provides immunity to RFI and EMI
- Pulse Count Processing eliminates false offs without reducing sensitivity
- The product meets the materials restrictions of RoHS

## Warranty

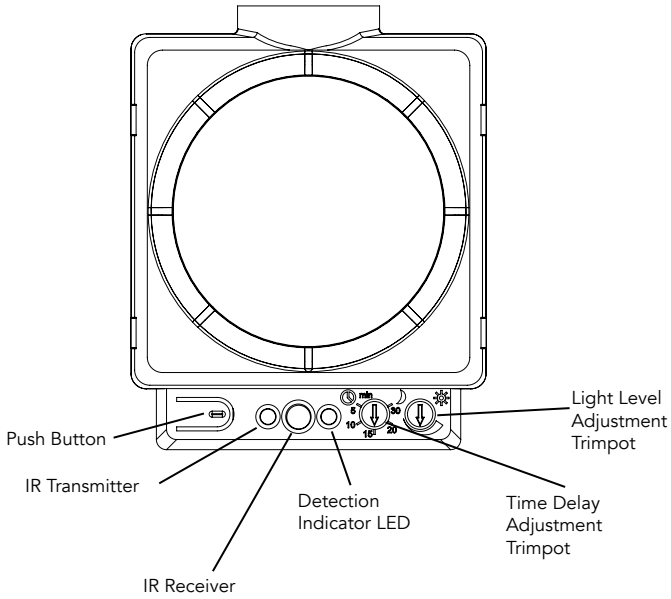
- 5 Year Warranty



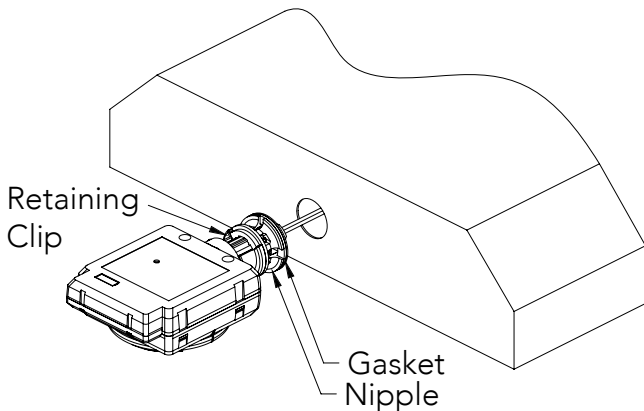
## Dimensions



## Sensor Control



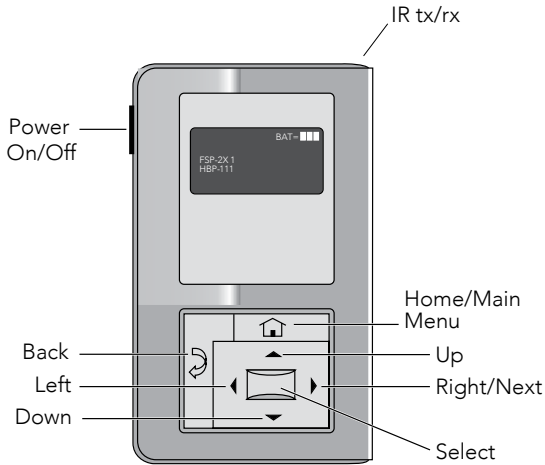
## Mounting and Installation



The sensor should be positioned so that heat radiating from the fixture does not affect its performance.

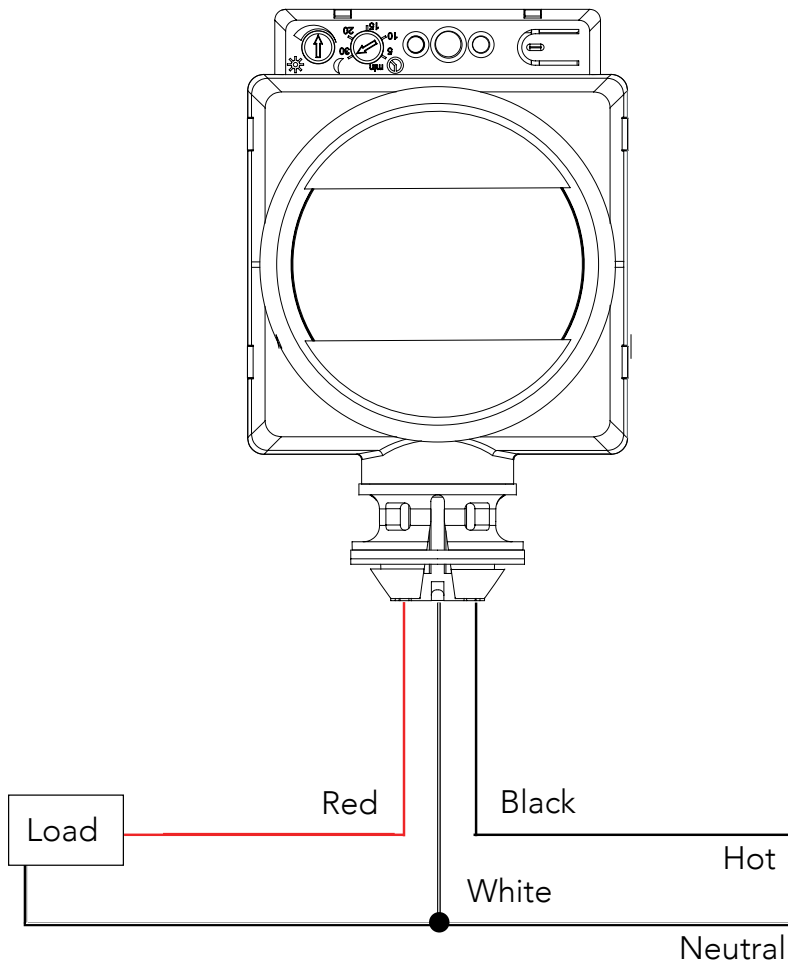


# FSIR-100 Remote Configuration Tool



The FSIR-100 works with the IR-enabled HBP-111 to enable remote setup and adjustment of control parameters to speed building commissioning and simplify maintenance.

## Wiring Diagram

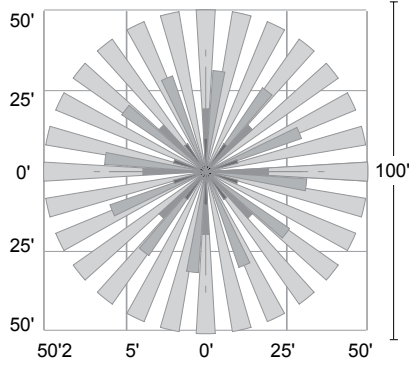




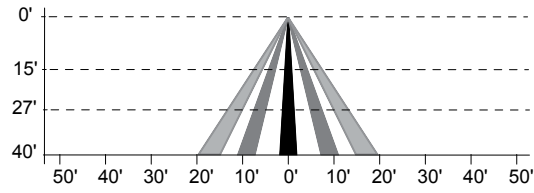
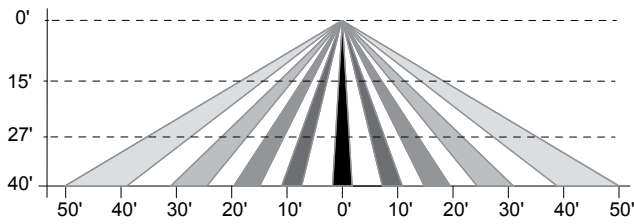
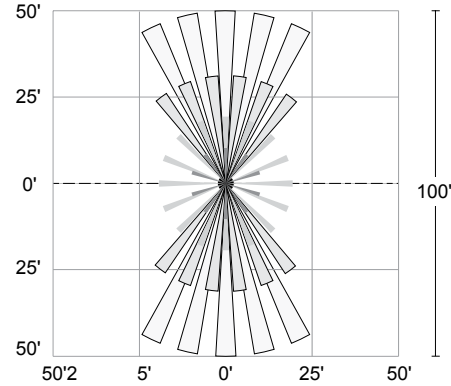
Project Name	
Catalog #	
Job Type	
Prepared By	
Notes	

### Coverage Pattern

Without Mask



With Mask



### Ordering Information

Part #	Description
HBP111	Wattstopper HBP-111 high/low bay PIR motion sensor with IR remote capabilities
FSIR100	Wattstopper FSIR-100 wireless configuration tool for FSP-211/HBP-111

\* Please contact LITELUME for all Custom Option Requests