



Brackets, Tenons, Spoke Arms and Bullhorns Made in USA



Project Name	
Catalog #	
Job Type	
Prepared By	
Notes	

Features

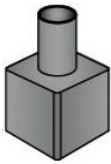
Accessories:	Pole Tenons, Spoke Arms and Brackets are standard for 2 3/8 post top or knuckles. For other sizes please specify. Available for all poles.
Finish:	TGIC Thermoset polyester powder coat finish is electrostatically applied at a 3.0 mil nominal thickness. A five stage metal pretreatment process and sealer provide maximum corrosion resistance. The powder top coat is baked in excess of 400°F for supreme endurance.

Top Fitter 90 Adaptor



LL-TF90
Fits over 2.375 O.D. x 4" Tenon (Drilled as required)
Provided:
-Set screws to secure fitter to pole tenon.
-Thru bolt to prevent windmilling.

Removable Top Tenon Square



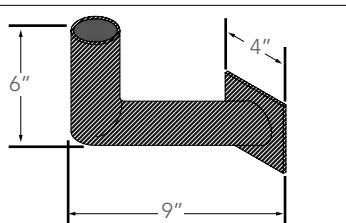
LL-RTS4
Fits 4" square pole
LL-RTS5
Fits 5" square pole
LL-RTS6
Fits 6" square pole
Provided:
-Set screws to secure removable tenon to pole.
-2.375 O.D. x 4" Tenon

Removable Top Tenon Round



LL-RTR4
Fits 4" round pole
LL-RTR5
Fits 5" round pole
LL-RTR6
Fits 6" round pole
Provided:
-Set screws to secure removable tenon to pole.
-2.375 O.D. x 4" Tenon

Wall Mount Bracket



LL-WMB90



Spoke Arms

Spoke arms assemblies mount over 2.375 O.D. Tenon

Provided:

-2.375 x 4" Arms

-Set screws to secure spoke arm assembly to pole tenon.

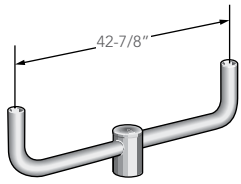
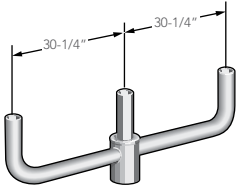
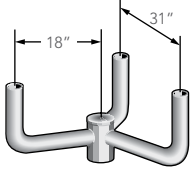
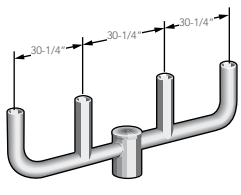
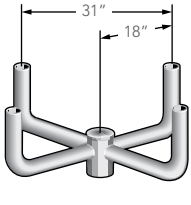
LL-SA1	LL-SA2-180	LL-SA2-90	LL-SA3-90	LL-SA3-120	LL-SA4-90

Square Steel Tenon Arms

LL-SSTA-490-4-DBZ	LL-SSTA-2180-4-DBZ	LL-SSTA-3180-4-DBZ
LL-SSTA-4180-4-DBZ		



Bullhorns

				
LL-RSTA-2180-238-DBZ	LL-RSTA-3180-238-DBZ	LL-RSTA-3120-238-DBZ	LL-RSTA-4180-238-DBZ	LL-RSTA-490-238-DBZ