

## Features

- Meet most of safety standards for lighting
- Standard CSA C22.2 NO. 14 UL924
- External lithium battery
- Battery protections: over charge protection, over discharge protection short circuit protection
- Indicator shows a variety working modes
- The batteries Meet 500 cycles of standard CH and standard DCH
- RoHS compliant
- Emergency 1.5H

## Specifications

Universal Input Voltage:	100-347Vac, 50/60 Hz
AC Input Current:	100mA max.
AC Input Power Rating	7.0W max.
Output Current and Voltage:	133-666mA 30-150Vdc
Output Power	20W
Emergency Time:	1.5H
Test Switch Indicator Light:	Illuminated Test Switch, indicator light
Battery:	Cold rated Li-ion battery
Battery Charging Current:	≤250mA
Charging Time:	48 hours
Ambient Temperature	-4 °F to 122°F
Warranty:	7 years

## Operation

### AC Operation:

AC power is present, the LED load from the LED driver is normal power supply, AC LED driver output current can not exceed 200W or 4A, the emergency driver is charging in a standby mode, the red LED light on to indicate that it is charging.

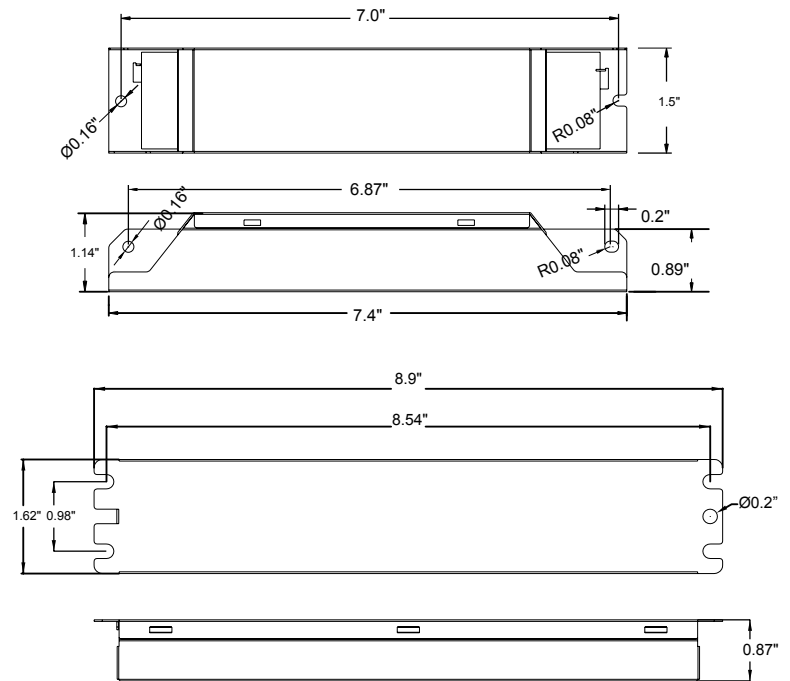
### Emergency Operation:

When the AC power goes out, the emergency driver detects the AC power outage and automatically switch to the working emergency mode. The red LED light off. When the AC power is restored, the emergency driver backs to AC power working and starts re-charging, the red LED light on.

## Dimensions

Driver: 7.4"x1.5"x1.14" (Mounting center: 7.0")

Battery Case: 8.9"x1.61"x0.87" (Mounting center: 8.54")







<b>Project Name</b>	
<b>Catalog #</b>	
<b>Job Type</b>	
<b>Prepared By</b>	
<b>Notes</b>	

## Ordering Information

<b>Part #</b>	<b>Description</b>
EMC20	Emergency Battery Backup Cold Weather 20W -4 °F to 122°F