



Contractor Select Round Tapered Steel Pole

Project Name	
Catalog #	
Job Type	
Prepared By	
Notes	

NOTE: BASE COVER, ANCHOR BOLT KIT & TEMPLATE INCLUDED

Description

The LITELUME™ Series Round Tapered Steel poles are built from high strength steel tube and are available side drilled for arm mounted area lighting luminaires or with tenon mounts for flood and post top luminaires. Typical area lighting applications include retail centers, industrial parks, schools and universities, public transit and airports, office buildings and medical facilities. Mounting heights of 20 to 30 feet can be used based on selected luminaire application.

Fixture Information

- Finish:** Textured architectural bronze powder-coat finish, baked to ensure maximum paint adhesion, hardness and durability.
- Anchor Bolts:** Anchor bolt kit & template included
- Hand Hole:** Cast iron reinforced hand hole and cover with ground screw.
- Base Cover:** Poles are provided with a two-piece formed steel base cover that is easily assembled and fitted over pole base.
- Surface Treatment:** Hot-dip galvanizing.
- Pole Length:** Poles are available in standard lengths as shown in the order matrix. Poles can be custom cut to order. Consult factory.

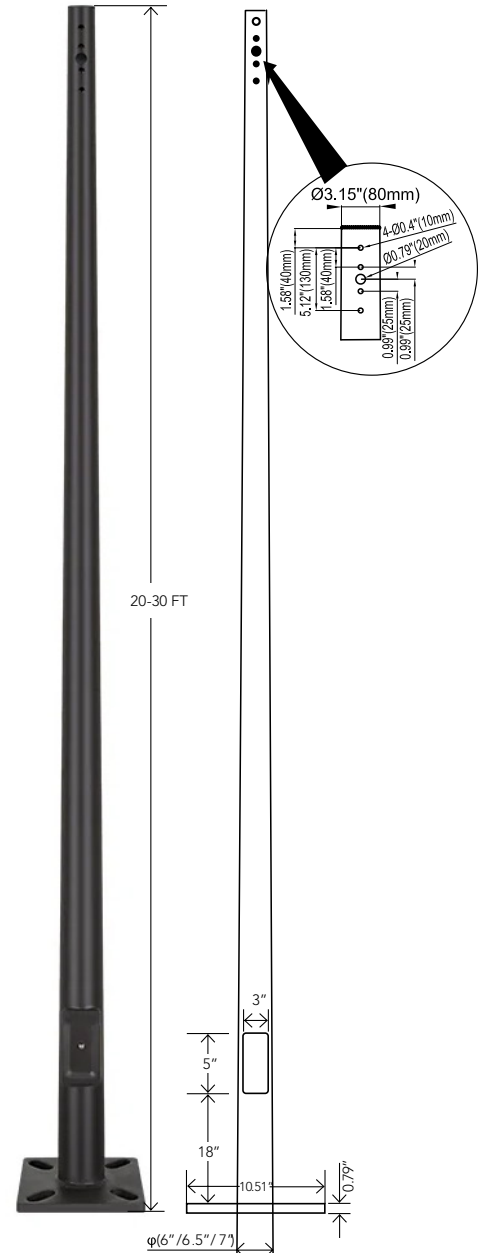
Specification

Conforms to ASTM-A 500 Grade B: Minimum Yield Strength of 46,000 PSI.

Catalog Number	20ft	25ft	30ft
LL-CS-RTS-20-6-11-FT-BZ			
LL-CS-RTS-25-6.5-11-FT-BZ	L=6.1(m)	L=7.6(m)	L=9.1(m)
LL-CS-RTS-30-7-7-FT-BZ			

Ordering Information

Company	Round Tapered Steel Pole	Ground Height	Size	Thickness	Finish
LL	CS-RTS	20FT - (6.1 M) 25FT - (7.6 M) 30FT - (9.1 M)	6 - (Bottom 6") 6.5 -(Bottom 6.5") 7 - (Bottom 7")	11G - (11 gauge) 7G - (7 gauge)	BZ-Bronze



Ordering Guide

Part #	Description
LL-CS-RTS-20-6-11-FT-BZ	Contractor Select Round Tapered Steel Pole, 20', 6" Base, 11 Gauge, Flat Top, Bronze, Base Cover, Anchor Bolts & Template
LL-CS-RTS-25-6.5-11-FT-BZ	Contractor Select Round Tapered Steel Pole, 25', 6.5" Shaft, 11 Gauge, Flat Top, Bronze, Base Cover, Anchor Bolts & Template
LL-CS-RTS-30-7-7-FT-BZ	Contractor Select Round Tapered Steel Pole, 30', 7" Shaft, 7 Gauge, Flat Top, Bronze, Base Cover, Anchor Bolts & Template



Ordering Guide

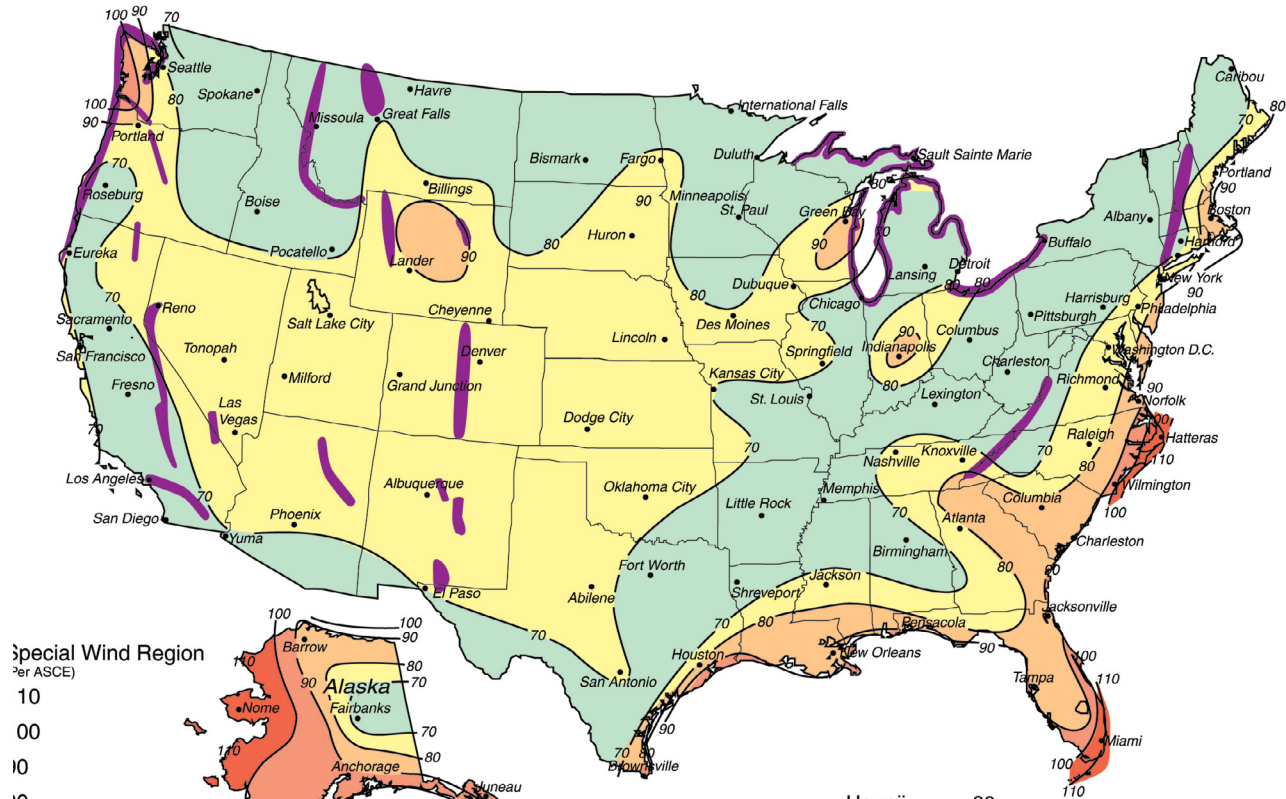
Part #	Description
LL-CS-RTPTA-BZ	Contractor Select Round Tapered Pole Top Adapter To 2 3/8" Tenon, Bronze

Dimension

6" Flange	6.5" Flange	7" Flange	6" Flange Base Cover Size	6.5" Flange Base Cover Size	7" Flange Base Cover Size

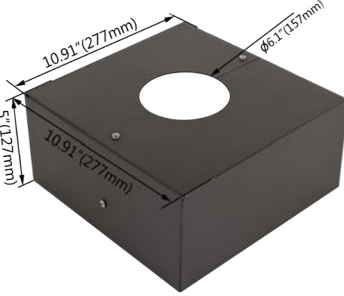
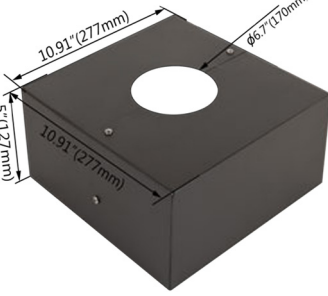
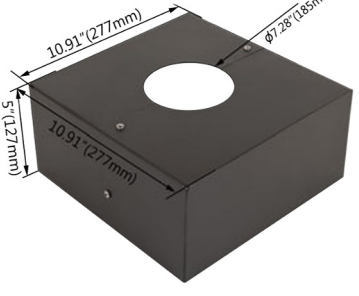
Dimension Data

Catalog	Height	Gauge	Size	Bolt Size	Weight (lbs)	EPA 70	EPA 80	EPA 90	EPA 100	EPA 110	EPA 120	EPA 130	EPA 140	EPA 150	EPA 160
LL-CS-RTS-20-6-11-FT-BZ	20ft	11	6" dia.	M0.75"x 19.69" x 3.94"	123	13.9	11.1	10.8	8.8	7.5	5.8	4.6	3.2	2.0	1.1
LL-CS-RTS-25-6.5-11-FT-BZ	25ft		6.5" dia.		163	12.9	9.9	8.7	7.3	6.6	5.1	4.2	2.8	1.4	NG
LL-CS-RTS-30-7-7-FT-BZ	30ft	7	7" dia.	M0.95"x 36"x 4"	300	10.5	8.8	7.9	6.5	5.4	4.4	3.7	2.4	1.2	NG

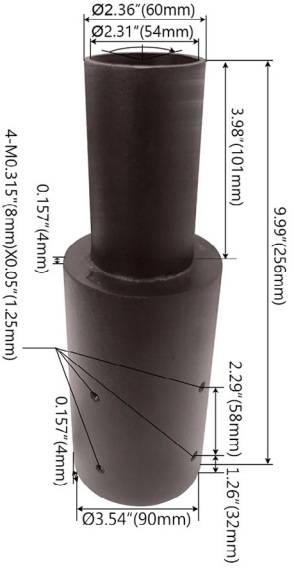




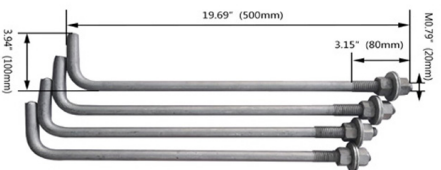
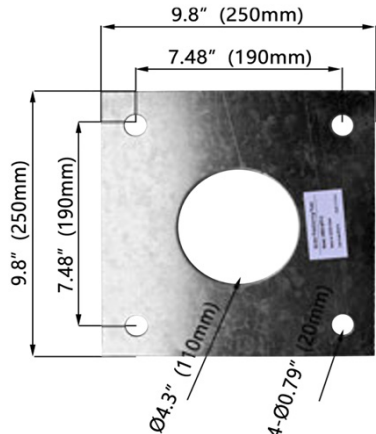
Included Accessories

6" Base Cover	6.5" Base Cover	7" Base Cover
		

Optional Accessories

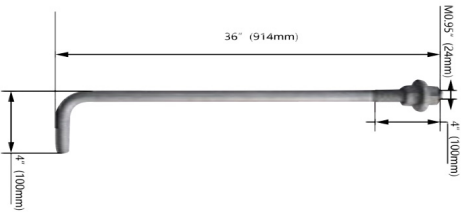
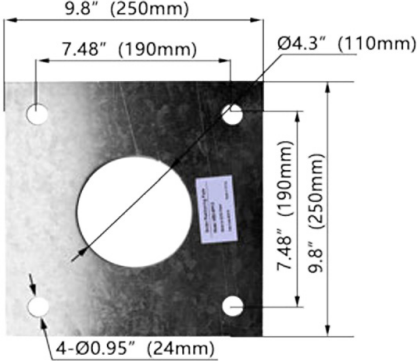
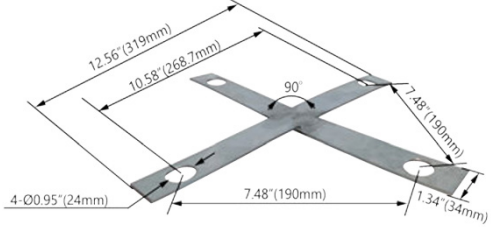
Round Tapered Pole Top


20'-25' Included Accessories

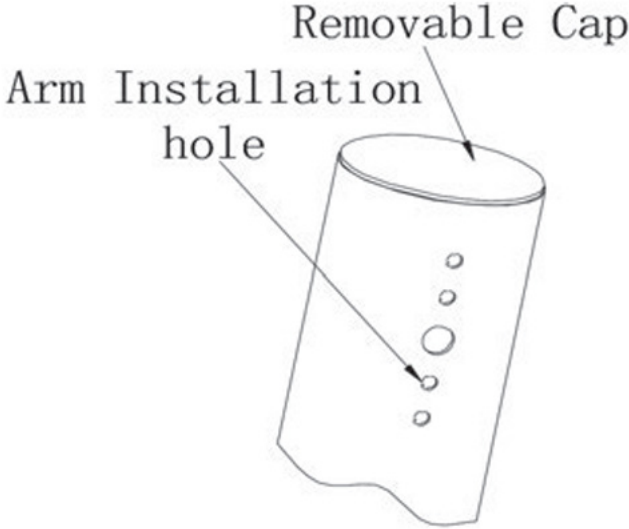

Anchor Bolt Kit	Template
	



30' Included Accessories

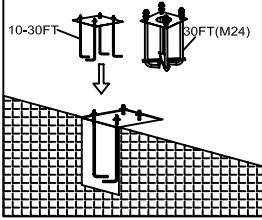
Anchor Bolt Kit	Template	Cross Screw Template
		 <p style="text-align: center;">Position Plate Bottom</p>

Features

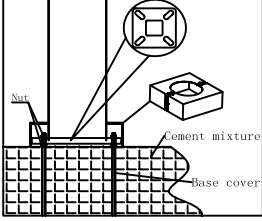
<p>Mounting: Standard length poles are predrilled (2@180°), with a polycarbonate top cover and hole plugs for unused predrilled locations.</p>	<p>Side Mount: Typical access point</p>
	



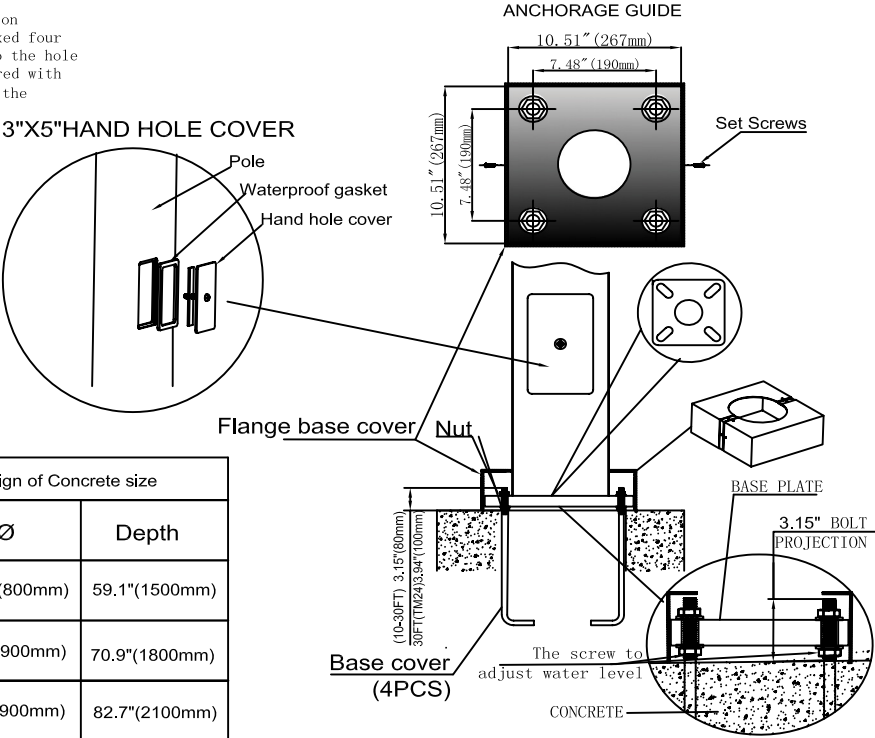
Installation



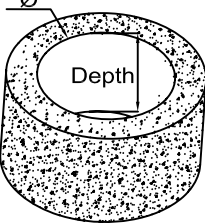
1. Dig a hole in the installation position of the lamp pole. Fixed four fastener fittings according to the position of lamp pole and poured with cement concrete. (as shown in the figure)



2. Install 4 screws onto the stick and adjust to same water level, then place the square plate and screw tightly. Install the cover at the bottom of pole. (as shown in the figure)



Foundation reference specification



Reference design of Concrete size		
Specifications	Ø	Depth
10-15FT	31.5"(800mm)	59.1"(1500mm)
20-25FT	35.4"(900mm)	70.9"(1800mm)
30FT	35.4"(900mm)	82.7"(2100mm)

Foundation Design: We offer Foundation design references due to variations in soil structure across different areas, and we do not assume any responsibility for this variability.