



Amberlume Series Wall Pack Small Full Cutoff



Description

The Litelume Amberlume Series Wall Pack Small Full Cutoff (LL-ALWPSFC) luminaire is available in an IES Type V distribution and designed to replace HID lighting systems up to 175w MH or HPS for wildlife or security applications requiring monochromatic AMBER light. LEDs operate between 585 and 595 nm, greater than 560nm required for wildlife protection. Typical wall mounted lighting applications include retail centers, industrial parks, schools and universities, office buildings and medical facilities. Mounting heights of 12 to 18 feet can be used based on light level and uniformity requirements.

Fixture Information

| | |
|------------------|--|
| Size: | 22W |
| Housing: | Die Cast Hinged and Gasketed Aluminum Front Frame and Housing with ½" Coin Plugs |
| Finish: | Textured Architectural Bronze Powdercoat Finish Over a Chromate Conversion Coating |
| Lens: | Tempered Clear Flat Glass Lens |
| Temperature: | -40°C to +40°C |
| Voltage: | Standard: 120-277V |
| Power Factor: | >.90 |
| Surge Protector: | 2 kVA |
| Warranty: | 10-Year Limited Warranty |

Performance Data

Lumen Output:

913 lm

Lumens Per Watt (typical):

40 lm/W

CCT:

Amber

Lifespan:

196,000 hrs @ 25°C (L70)

Ratings & Certificates

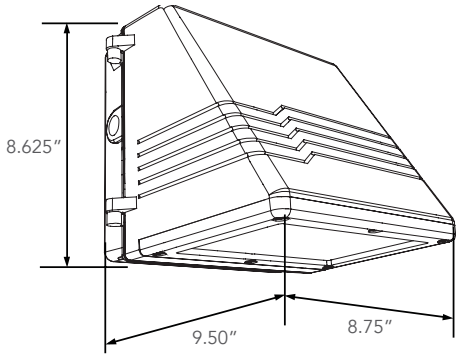
CSA: Listed for Wet Locations, ANSI/UL 1598, 8750; IP66 Sealed LED Compartment. ADA Compliant. 10 year Warranty. BAA Compliant





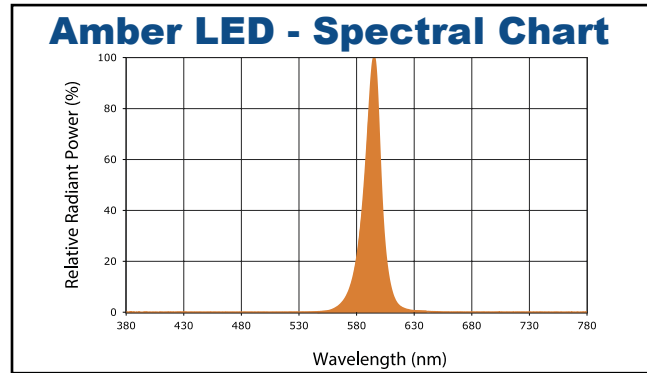
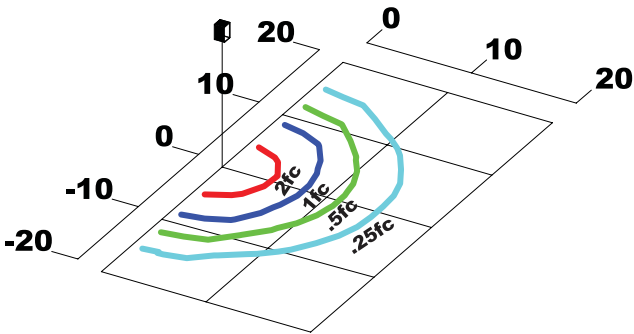
Dimension

| Item | Height | Width | Depth |
|------|--------|-------|-------|
| 22W | 8.625" | 8.75" | 9.50" |



Photometric

LL-ALWPSFC-22-AMB-UNV-BZ





| | |
|---------------------|--|
| Project Name | |
| Catalog # | |
| Job Type | |
| Prepared By | |
| Notes | |

Fixture Ordering Information

| Part # | Wattage | Lumens | CCT | Voltage | Color |
|--------------------------|---------|--------|-------|----------|--------|
| LL-ALWPSFC-22-AMB-UNV-BZ | 22 | 913 | Amber | 120-277V | Bronze |

Accessories Ordering Information

| Part # | Description |
|----------------------|---|
| SF | Single Fuse *120-277V Only* |
| DF | Double Fuse *120-277V Only* |
| SP | Surge Protection |
| P10 | Pencil Photocell, 120V |
| P12 | Pencil Photocell, 208-277V |
| P14 | Pencil Photocell, 120-277V |
| P20 | Swivel Photocell, 120V |
| P22 | Swivel Photocell, 208-277V |
| BU | Battery Backup, 90 Minutes *120-277V Only* |
| SUB "UNV" WITH "480" | 480 Volt |

* Please contact LITELUME for all Custom Option Requests