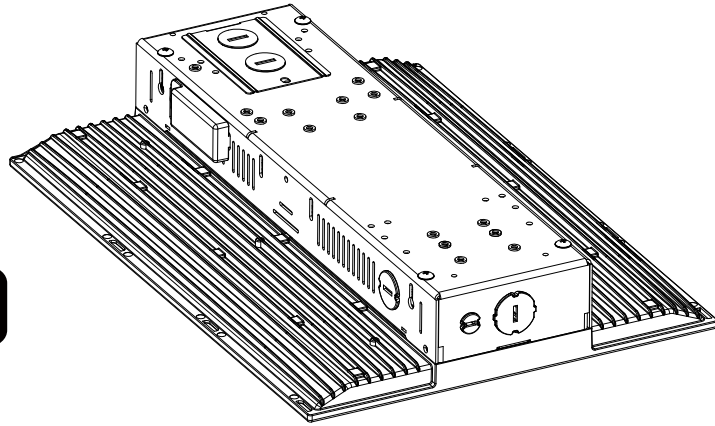
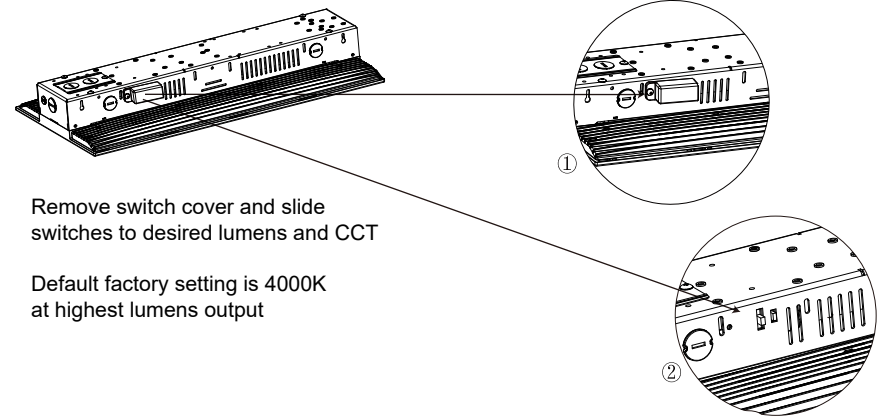


# LED High Bay Luminaire



## Installation Instruction



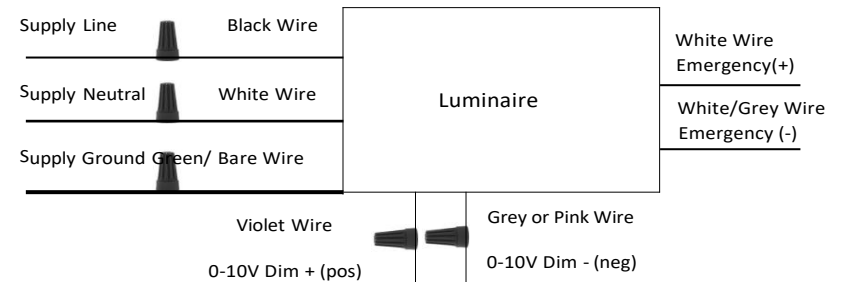
Remove switch cover and slide switches to desired lumens and CCT

Default factory setting is 4000K at highest lumens output

### CAUTION:

1. Read all instructions before starting installation.
2. This product must be installed in accordance with the applicable installation codes by a qualified electrician familiar with the construction and operation of the product and the hazards involved.
3. Disconnect power at circuit breaker or fuse before starting installation.
4. To avoid injury, wear gloves during installation.
5. To reduce the risk of electrical shock and product damage, do not install this luminaire during rain or other storms.
6. Do not test luminaire using an electric generator before installation.

## Wiring Diagram

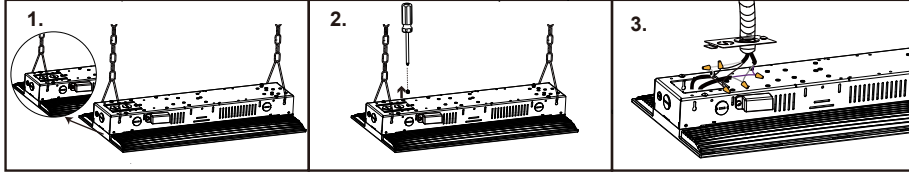


For dimming wires, use class 1 wiring methods.  
Cap dimming wires (separately) if not used.

**SAVE THESE INSTRUCTIONS**

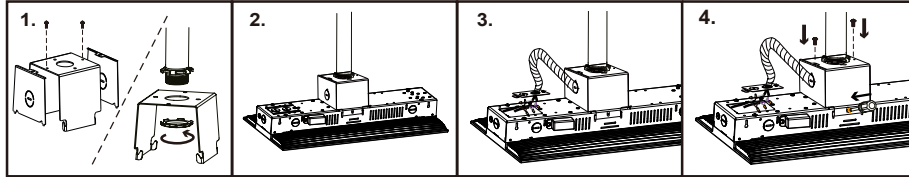
# Installation Instruction

## Chain and hook pendant mount



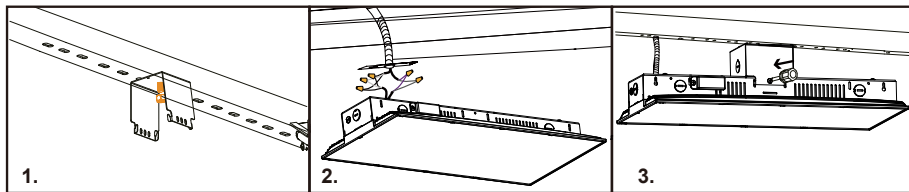
1. Take out the lamp and installation accessories. ("V" Hook wire\*2 / hanging chain\*2)
2. Attach the "V" hooks to the chain then attach the "V" hooks on the luminaire slots and hang the chain to a structure that can sustain the luminaire weight.
3. Attach the conduit to the luminaire wiring box door, make the electrical connections according to the wiring diagram and secure the wiring box door to the luminaire to complete installation.

## Stem Pendant mount (purchased separately)



1. Attach stem conduit to the stem mount bracket.
2. Secure stem mount bracket into luminaire slots.
3. Attach flexible conduit to the luminaire wiring box door, make the electrical connections according to the wiring diagram, then secure the wiring box door to the luminaire, the stem mount bracket doors and stem mount bracket to luminaire to complete installation.

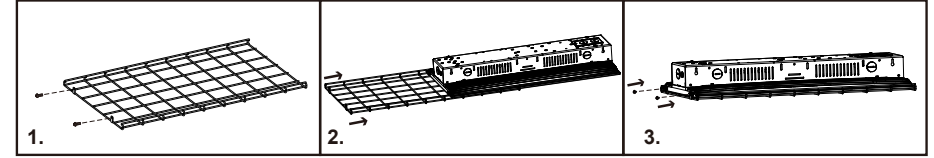
## Ceiling mounting (purchased separately)



1. Attach the surface mount bracket to a structure that can sustain the luminaire weight.
2. Attach the conduit to the luminaire wiring box door, make the electrical connections according to the wiring diagram and secure the wiring box door to the luminaire.
3. Secure surface mount bracket to luminaire to complete installation.

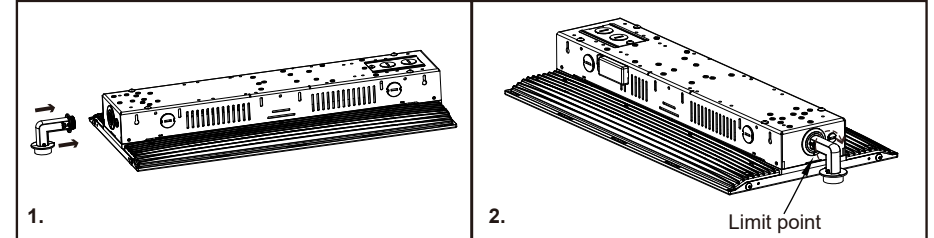
# Accessories installation steps

## Installation of protective wire guard (purchased separately)



1. Take out the lamp mounting fittings and mounting screws. (Screw\*2)
2. Slide the protective wire guard from the side of luminaire to install.
3. After the protective wire guard is assembled secure it with M4 screws.

## Sensor Installation (purchased separately)



1. Remove the sensor receptacle plug using a flat screwdriver and screw it into the receptacle of the "L" shaped sensor bracket.
2. Rotate the "L" shaped bracket clockwise until the L-shaped limit mark point is aligned with the limit point.