



# Wallpack-Adjustable



## Description

The LITELUME™ Wallpack (LL-WPA) is a full cutoff LED lighting fixture that features a durable, die-cast aluminum profile and 90° head tilt. Applications: Garages, Hallways, Perimeter lighting and Walkways.

## Fixture Information

Size:	27W/40W/67W/80W
Housing:	Die-cast Aluminum Housing
Finish:	Protective powdercoat
Color:	Standard: Bronze Custom Options: Black (BK) White (WH) Grey (GY)
Mounting:	Standard: Wall Mount
Lens:	Glass
CRI:	80
THD:	<20%
Voltage:	Standard: 120-277V
Operating Temperature:	-40°F to 113°F
Dimming:	( Dedicated wattage/CCT models ) No Dimming  ( Wattage/CCT selectable models ) 0-10V dimming standard for a dimming range of 100% to 10%
Sensor:	Dedicated wattage models ) No Sensor, optional button photocell  ( Wattage/CCT selectable models ) Integrated photocell & cap
Warranty:	10-Year Limited Warranty

## Performance Data

### Lumen Output:

3,600 to 11,400 lm

### Lumens Per Watt (typical):

130 to 143 lm/W

### CCT:

3000K  
4000K  
5000K

### Distribution

Type III

### Lifespan:

Up to 100,000 running hours

### Ratings & Certificates

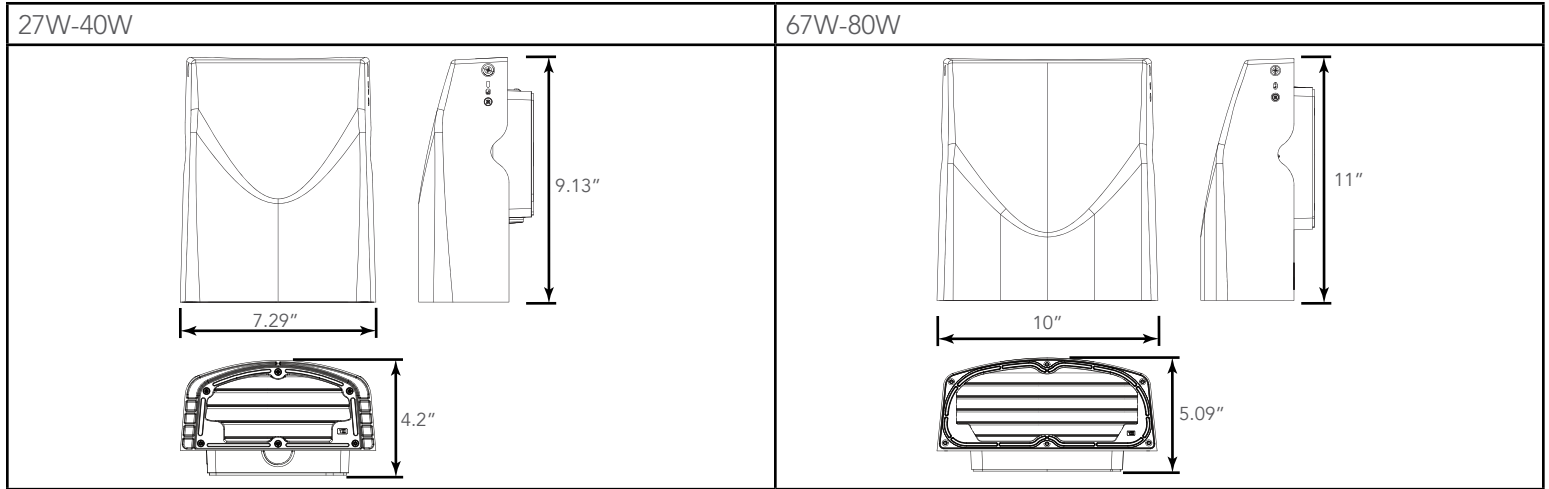
UL Listed For Wet Location  
TAA Compliant/BAA Optional





### Dimension

Item	Width	Length	Height	Weight
27W	4.20"	7.29"	9.13"	3.351 lbs
40W	4.20"	7.29"	9.13"	3.968 lbs
67W	5.09"	10"	11"	7.319 lbs
80W	5.09"	10"	11"	7.804 lbs



### Features

#### CCT and Wattage Controller

This fixture has the function of adjusting the lumens output and color temperature on-site.



Wattage selectable: 100%, 80%, 60%, 40%  
CCT selectable: 3000K, 4000K, 5000K





## Performance Data (single CCT)

System Watts	Voltage	CRI	Lumens (3000K)	LPW (3000K)	Lumens (3500K)	LPW (3500K)	Lumens (4000K)	LPW (4000K)	Lumens (5000K)	LPW (5000K)
27W	120-277VAC	70	3500 lms	130 lm/W	3500 lms	130 lm/W	3600 lms	133 lm/W	3600 lms	133 lm/W
40W	120-277VAC	70	5100 lms	128 lm/W	5100 lms	128 lm/W	5300 lms	133 lm/W	5300 lms	133 lm/W
67W	120-277VAC	70	9300 lms	139 lm/W	9300 lms	139 lm/W	9600 lms	143 lm/W	9600 lms	143 lm/W
80W	120-277VAC	70	10700 lms	134 lm/W	10700 lms	134 lm/W	11200 lms	140 lm/W	11200 lms	140 lm/W

## CCT and Wattage Adjustable

LL-WPA-[16][24][32][40]									
Switch Setting	System Watts	CRI	3000K		4000K		5000K		
			Lumens	LPW	Lumens	LPW	Lumens	LPW	
100%	40W	70	5300 lms	133 lm/W	5600 lms	141 lm/W	5500 lms	138 lm/W	
80%	32W	70	4300 lms	136 lm/W	4600 lms	144 lm/W	4500 lms	141 lm/W	
60%	24W	70	3300 lms	139 lm/W	3500 lms	147 lm/W	3400 lms	144 lm/W	
40%	16W	70	2300 lms	142 lm/W	2400 lms	150 lm/W	2300 lms	147 lm/W	
LL-WPA-[32][48][64][80]									
Switch Setting	System Watts	CRI	3000K		4000K		5000K		
			Lumens	LPW	Lumens	LPW	Lumens	LPW	
100%	80W	70	10700 lms	134 lm/W	11400 lms	142 lm/W	11100 lms	139 lm/W	
80%	64W	70	8800 lms	137 lm/W	9300 lms	145 lm/W	9100 lms	142 lm/W	
60%	48W	70	6700 lms	140 lm/W	7100 lms	148 lm/W	7000 lms	145 lm/W	
40%	32W	70	4600 lms	143 lm/W	4800 lms	151 lm/W	4700 lms	148 lm/W	

## Electrical Data

Number of Drivers	Driver Current (mA)	Nominal Power (W)	Input Voltage (V)	Current (Amps)
1	430	27	120	0.23
		27	208	0.13
		27	240	0.11
		27	277	0.10
1	640	40	120	0.33
		40	208	0.19
		40	240	0.17
		40	277	0.14
1	1100	67	120	0.56
		67	208	0.32
		67	240	0.28
		67	277	0.24
1	2120	80	120	0.67
		80	208	0.38
		80	240	0.33
		80	277	0.29



<b>Project Name</b>	
<b>Catalog #</b>	
<b>Job Type</b>	
<b>Prepared By</b>	
<b>Notes</b>	

### Fixture Ordering Information

Part #	Wattage	Lumens	Kelvin	Voltage	Type Distribution
LL-WPA-27-50-UNV-BZ	27	3600	5000	120-277	Type III
LL-WPA-27-40-UNV-BZ	27	3600	4000	120-277	Type III
LL-WPA-40-50-UNV-BZ	40	5300	5000	120-277	Type III
LL-WPA-40-40-UNV-BZ	40	5300	4000	120-277	Type III
LL-WPA-67-50-UNV-BZ	67	9600	5000	120-277	Type III
LL-WPA-67-40-UNV-BZ	67	9600	4000	120-277	Type III
LL-WPA-80-50-UNV-BZ	80	11200	5000	120-277	Type III
LL-WPA-80-40-UNV-BZ	80	11200	4000	120-277	Type III
LL-WPA-[16][24][32][40]-3CCT-UNV-BZ-PC	16W/24W/32W/40W	2400/3500/4600/5600	3000K 4000K 5000K	120-277	Type III
LL-WPA-[32][48][64][80]-3CCT-UNV-BZ-PC	32W/48W/64W/80W	4800/7100/9300/11400	3000K 4000K 5000K	120-277	Type III

### Accessories Ordering Information

Part #	Description
PC	Button Photocell 120-277V

\* Please contact LITELUME for all Custom Option Requests

### Buy American Act Compliant Ordering Information

Part #	Description
BAA-WPA	Buy American Act Compliant for Wallpack Adjustable

\* Please contact LITELUME for all Custom Option Requests