

Canopy Low Profile Installation Instructions

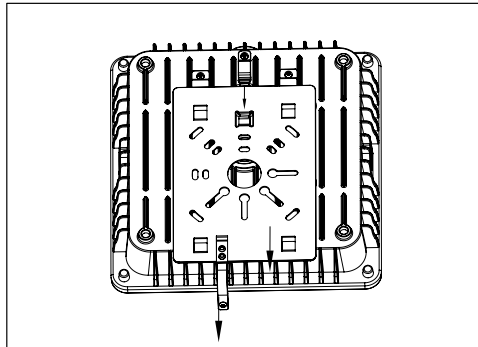


Warning

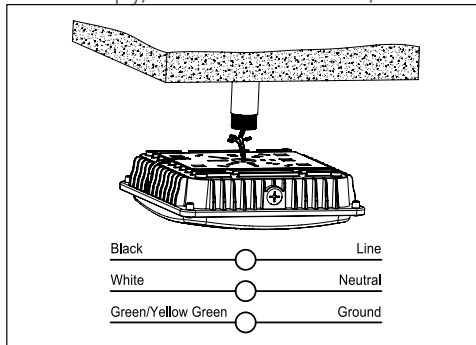
1. To avoid electric shock, disconnect power at source prior to installation.
2. The installation should be performed by qualified electricians or lighting technicians.
3. Before conducting any installation, maintenance, or removal, disable all power to the luminaires and wait until the fixture cool down.
4. Do not touch the fixture while it is in service.
5. If there is any problem with the fixture, DO turn off power and DO NOT attempt repair unless you are a qualified technician or the customer service member.

Pendant Installation (with 3/4" Conduit)

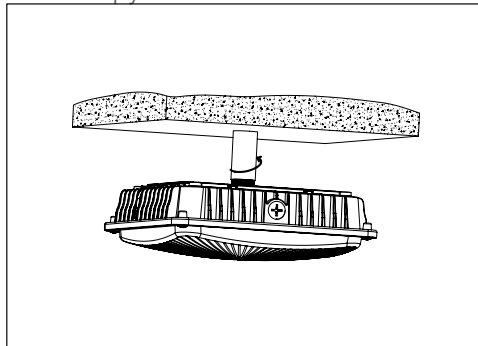
1. Loosen the screw on the side of the light, removing the bracket from Canopy light by pulling it slightly out, just leaving the ring on bracket.



2. Connect the wires threaded from conduit and Canopy, Black wire for Line, White for Neutral, Green/Yellow Green for Ground.



3. Screw the Conduit into the hole on top of the Canopy.

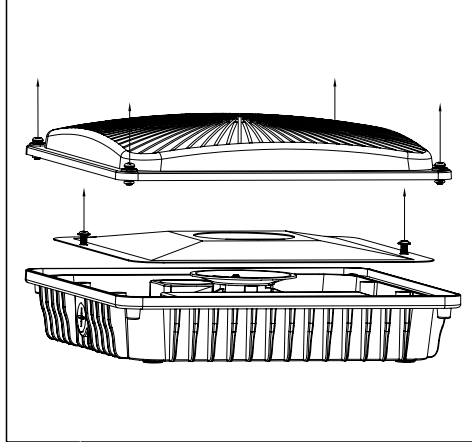


Canopy Low Profile Installation Instructions

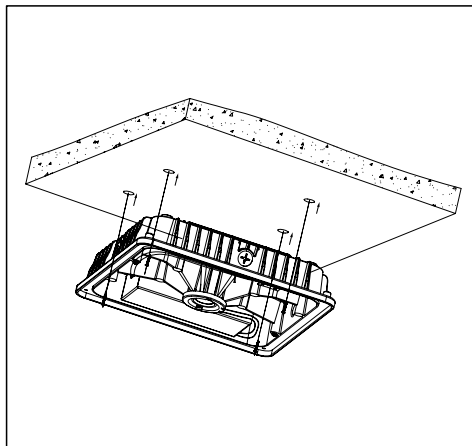


Surface Mount Installation

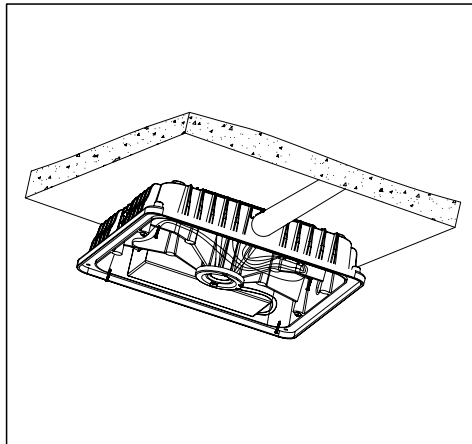
1. Remove the lens and metal plate by unscrewing the screws.



2. Cut off the wires through the 3/4" hole and plug the hole with provided Plug. Drill 4 holes on the edge of the fixture and fix it on the ceiling using the appropriate screws.



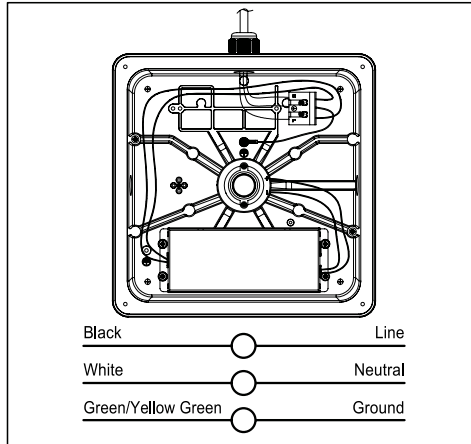
3. Remove 1/2" plug from direction you intend to feed conduit.



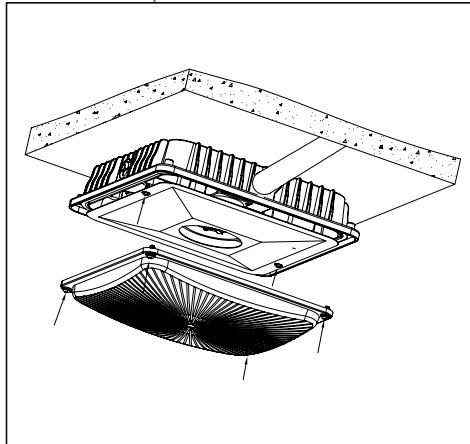
Canopy Low Profile Installation Instructions



4. Disconnect the wires from 3/4" hole and connect the wires from 1/2" conduit with Canopy. (White for Neutral, Black for Line, Green/Yellow Green for Ground)



5. Re-attach lens and metal plate, make sure no wires are pinched.



Wiring Diagram

For 0-10V Dimming Version, please refer to wiring diagram below.

