



Description

6" Flat Panel Kelvin Field Selectable.

Features:

- Field selectable 2700k (soft white), 3000k (warm white), 3500k (warm/neutral white), 4000k (neutral white), and 5000k (cool white) color temperatures.*
- Long-life LEDs provide at least 70% of initial lumen output (L70) for 181,000 hours of operation.**
- Color rendering index (Ra) > 90.
- 1000 nominal lumens.
- 15 nominal watts.
- 120 AC voltage (60Hz) is standard.
- Power factor > 0.90.
- Total harmonic distortion < 20%.
- Triac dimming.
- Aluminum housing.
- Easy installation in new construction or retrofit applications.
- Compatible with 6.30" ceiling cut-outs.
- Type IC. Access above ceiling required. Covered ceiling mount only.

*Contact factory for other color temperatures and lumen packages.

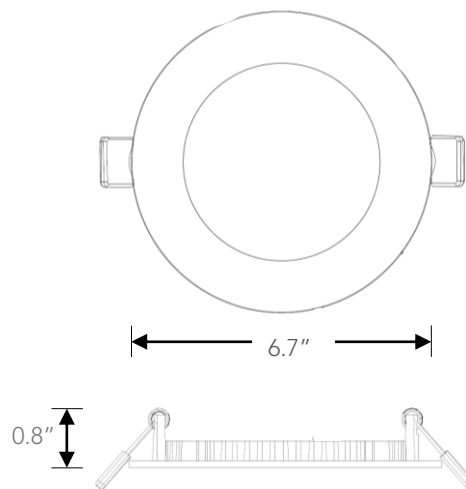
** L70 hours are IES TM-21-11 calculated hours.

Warranty/Listing:

- cETLus listed for wet locations not exceeding 45°C (113°F).
- Energy Star certified.
- Compatible for new construction and retrofit applications.
- Complies with FCC Part 15, class B.
- Complies with EN61000-4-5 surge protection (0.5kV).
- 10-year warranty of all electronics and housing.



Dimensions



Weight: .5 lbs



Project Name	
Catalog #	
Job Type	
Prepared By	
Notes	

Fixture Ordering Information

Model	Nominal Lumen Output		Color Temp
LL-FPR6-10L-KFS	10L	1000	2700K / 3000K / 3500K / 4000K / 5000K