

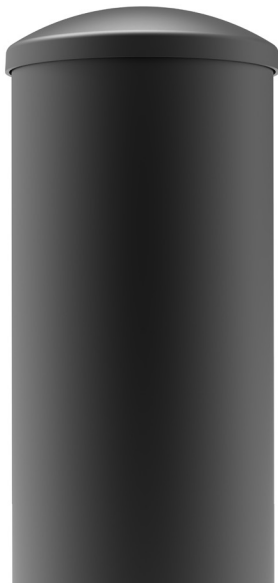
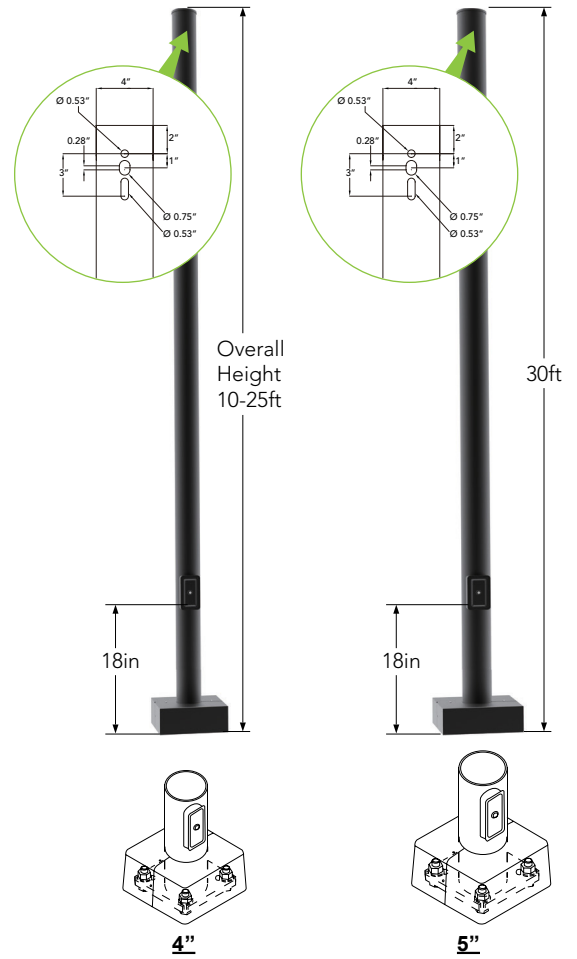


Description

Contractor Select Round Straight Steel Pole, pre-drilled with plugs for up to 4 area lights.

Features

Pole Shaft:	Round, commercial quality hot rolled steel, meets or exceeds minimum yield strength of 42,000 PSI.
Base Plate:	Steel Plate base is ASTM-A36 hot rolled steel, meets or exceeds minimum yield strength of 36,000 PSI.
Base Cover:	ABS plastic. Two piece cover for easy installation.
Pole Cap:	Removable Die-cast aluminum.
Finish:	Polyester powder coat, hot dip galvanized.
Anchor Bolts:	Poles are provided with anchor bolts & template.

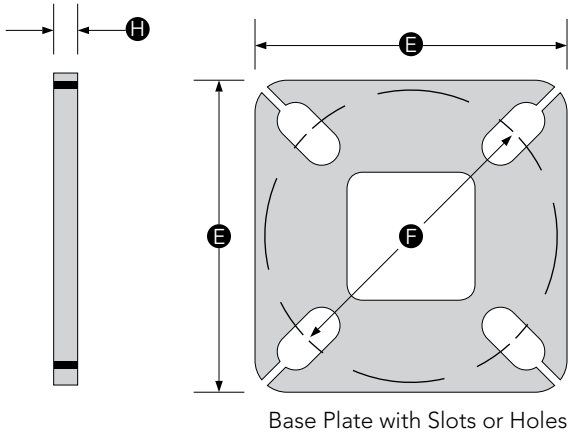


Technical Details

Part Number	Shaft Size (in)	Shaft Height (ft)	Wall thick (in)	Gauge	Weight (lbs)	Maximum EPA with 1.3 Gust Factor															
						80 mph	Max weight	90 mph	Max weight	100 mph	Max weight	110 mph	Max weight	120 mph	Max weight	130 mph	Max weight	140 mph	Max weight	150 mph	Max weight
LL-CS-SSS-15-4-11-FT-BZ	4"	15	0.120	11	100	9.6	250	7.4	185	5.9	150	3.5	90	2.7	68	2.2	55	1.5	46	1.4	38
LL-CS-SSS-20-4-11-FT-BZ	4"	20	0.120	11	120	6	150	4.4	150	3.4	125	2.1	80	1.4	55	1	40	-	-	-	-

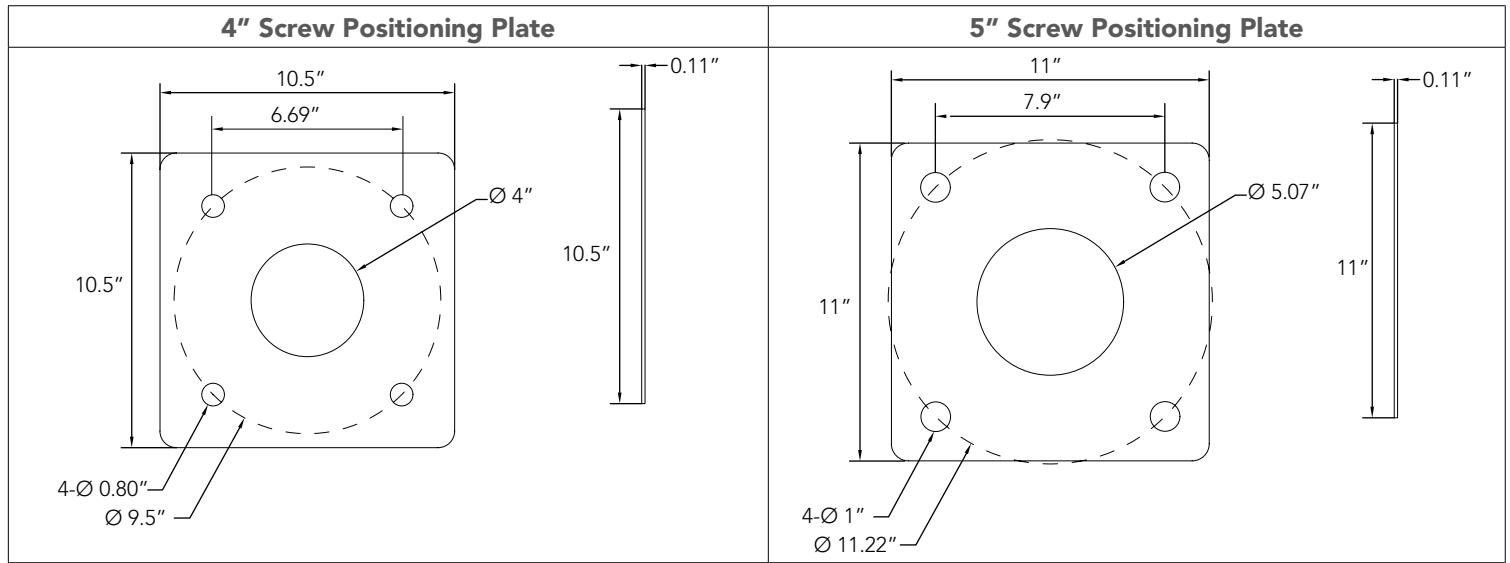


Anchorage Detail

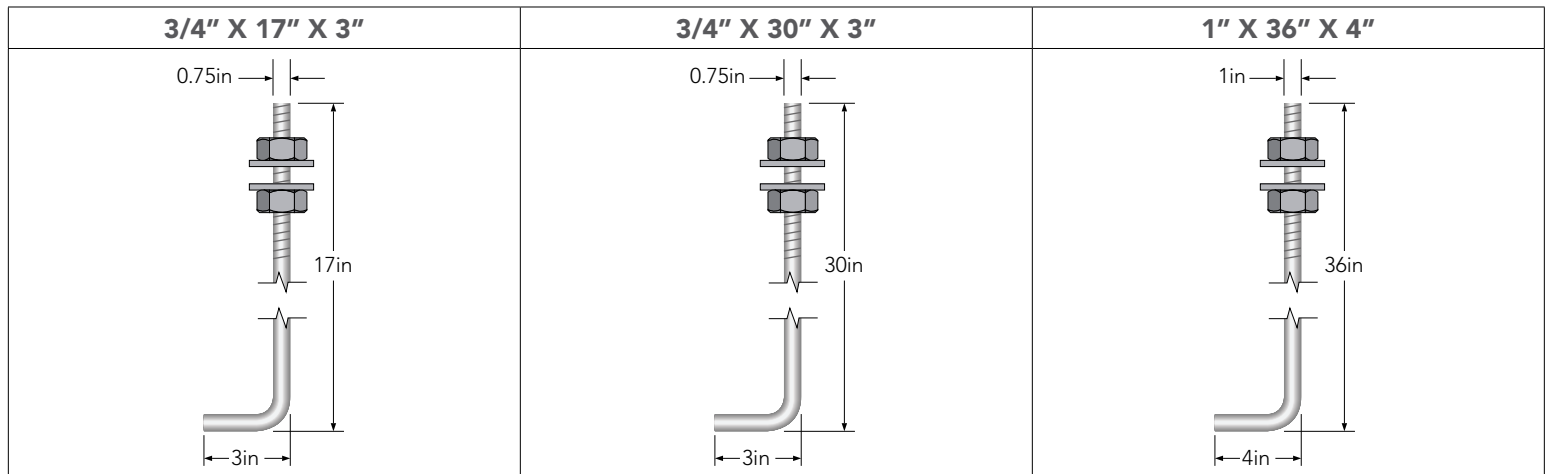


Anchor Base Size	Wall Thick (H)	Base Plate Square (E)	Bolt Circle Range	Bolt Circle (F)	Bolt Project
4"	0.75"	10.5"	8-11	9.5"	3.5"
5"	0.75"	11"	10.6-12	11.3"	3.5"

Dimension



Bolt Sizes





Project Name	
Catalog #	
Job Type	
Prepared By	
Notes	

Fixture Ordering Information

Part #	Description
LL-CS-RSS-15-4-11-FT-BZ	Contractor Select Round Straight Steel Pole, 15', 4" Shaft, 11 Gauge, Flat Top, Bronze, Base Cover, 3/4" x 17" x 3" Anchor Bolts & Template
LL-CS-RSS-20-4-11-FT-BZ	Contractor Select Round Straight Steel Pole, 20', 4" Shaft, 11 Gauge, Flat Top, Bronze, Base Cover, 3/4" x 17" x 3" Anchor Bolts & Template
LL-CS-RSS-15-4-11-PT238-BZ	Contractor Select Round Straight Steel Pole, 15', 4" Shaft, 11 Gauge, Post Top 2 3/8" Tenon, Bronze, Base Cover, 3/4" x 17" x 3" Anchor Bolts & Template
LL-CS-RSS-20-4-11-PT238-BZ	Contractor Select Round Straight Steel Pole, 20', 4" Shaft, 11 Gauge, Post Top 2 3/8" Tenon, Bronze, Base Cover, 3/4" x 17" x 3" Anchor Bolts & Template