



Bulkhead Square Grid Frame



Description

The Litelume Bulkhead Square Grid Frame (LL-BSGF) is designed to replace HID lighting systems up to 250w MH or HPS. The open door frame allows for maximum light output. Typical applications include office and public buildings, condominiums, schools, shopping malls, and hospitality. Recommended mounting heights are 8 to 20 feet

Fixture Information

| | |
|------------------|--|
| Size: | 12W/17W/25W |
| Housing: | Die Cast Gasketed Aluminum Open Front Frame and Housing with Integral Heat Sinking and Driver Compartment. |
| Finish: | Textured Architectural Bronze Powdercoat Finish Over a Chromate Conversion Coating. |
| Lens: | SoftLED LumaLens UV-Stabilized Polycarbonate Opal Vandal-Resistant Lens Eliminates LED Hot Spots |
| CRI: | 80 |
| Temperature: | -40°C to +50°C |
| Voltage: | Standard: 120-277V |
| Power Factor: | >.90 |
| Sensor: | Standard: No Sensor Custom: Microwave Sensor |
| Surge Protector: | 2 kVA |
| Dimming: | Standard: 0-10V |
| Warranty: | 10-Year Limited Warranty |

Performance Data

Lumen Output:

1,313 to 3,115 lm

Lumens Per Watt (typical):

101 to 114 lm/W

CCT:

3000K
4000K
5000K

Lifespan:

187,000 hrs @ 25°C (L70)

Ratings & Certificates

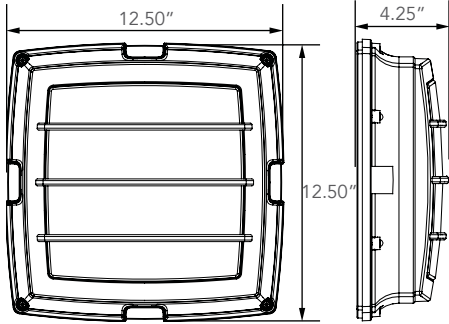
CSA: Listed for Wet Locations, ANSI/UL 1598, 8750; IP66 Sealed LED Compartment. ADA Compliant. 10 year Warranty. BAA Compliant



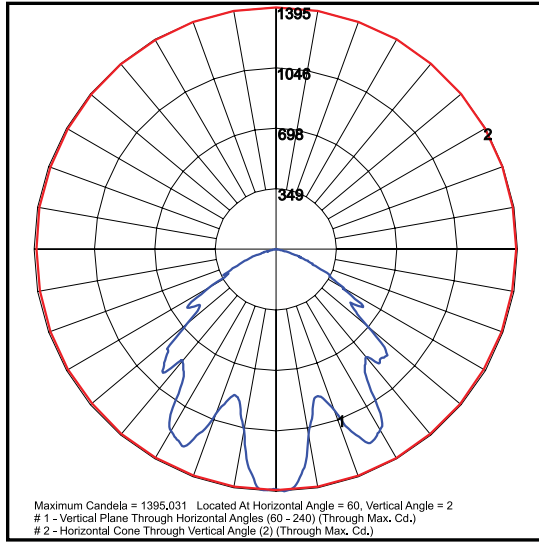


Dimension

| Item | Height | Diameter |
|-------------|--------|----------|
| 12W/17W/25W | 4.375" | 12.50" |



Photometric



LL-BSGF-25-50-UNV



| | |
|---------------------|--|
| Project Name | |
| Catalog # | |
| Job Type | |
| Prepared By | |
| Notes | |

Fixture Ordering Information

| Part # | Wattage | Lumens | Kelvin | Voltage | Color |
|----------------------|---------|--------|--------|----------|--------|
| LL-BSGF-12-30-UNV-WH | 12 | 1313 | 3000 | 120-277V | White |
| LL-BSGF-12-40-UNV-WH | 12 | 1424 | 4000 | 120-277V | White |
| LL-BSGF-12-50-UNV-WH | 12 | 1483 | 5000 | 120-277V | White |
| LL-BSGF-17-30-UNV-WH | 17 | 1838 | 3000 | 120-277V | White |
| LL-BSGF-17-40-UNV-WH | 17 | 1994 | 4000 | 120-277V | White |
| LL-BSGF-17-50-UNV-WH | 17 | 2077 | 5000 | 120-277V | White |
| LL-BSGF-25-30-UNV-WH | 25 | 2757 | 3000 | 120-277V | White |
| LL-BSGF-25-40-UNV-WH | 25 | 2990 | 4000 | 120-277V | White |
| LL-BSGF-25-50-UNV-WH | 25 | 3115 | 5000 | 120-277V | White |
| LL-BSGF-12-30-UNV-BZ | 12 | 1313 | 3000 | 120-277V | Bronze |
| LL-BSGF-12-40-UNV-BZ | 12 | 1424 | 4000 | 120-277V | Bronze |
| LL-BSGF-12-50-UNV-BZ | 12 | 1483 | 5000 | 120-277V | Bronze |
| LL-BSGF-17-30-UNV-BZ | 17 | 1838 | 3000 | 120-277V | Bronze |
| LL-BSGF-17-40-UNV-BZ | 17 | 1994 | 4000 | 120-277V | Bronze |
| LL-BSGF-17-50-UNV-BZ | 17 | 2077 | 5000 | 120-277V | Bronze |
| LL-BSGF-25-30-UNV-BZ | 25 | 2757 | 3000 | 120-277V | Bronze |
| LL-BSGF-25-40-UNV-BZ | 25 | 2990 | 4000 | 120-277V | Bronze |
| LL-BSGF-25-50-UNV-BZ | 25 | 3115 | 5000 | 120-277V | Bronze |

Accessories Ordering Information

| Part # | Description |
|----------------------|--|
| SF | Single Fuse *120-277V Only* |
| DF | Double Fuse *120-277V Only* |
| SP | Surge Protection |
| PC3 | Photocell, 120-277V |
| P10 | Pencil Photocell, 120V |
| P12 | Pencil Photocell, 277V |
| P14 | Pencil Photocell, 120-277V |
| S2 | Microwave Sensor with Dimming for Mounting Heights of 8' to 40'. *120-277V Only* |
| S4 | Microwave On/Off Motion Sensor for Mounting Heights of 8' to 19'. *120-277V Only* |
| BU | Battery Backup, 90 Minutes *120-277V Only* |
| BUC | Cold Start Battery Backup, 90 Minutes -20°C |
| SUB "UNV" WITH "480" | 480 Volt *25W Only* |

* Please contact LITELUME for all Custom Option Requests