



Cylinder Wall Mount Small



Description

The LITELUME™ LED Cylinder Wall Mount Small (LL-CWMS) is a specification grade field adjustable Uplight/Downlight Wall Mounted luminaire designed for retrofit or new construction. Available in 3", 4", and 6" diameters. Includes a photocell with on/off dip switch. Choose between uplight, downlight or up/down combination. Featuring 3 color adjustable CCT, allowing for customized energy savings and comfortability.

Applications: Site, Hallway, Perimeter lighting, Walkway lighting, Multi-Family & Hospitality.

Fixture Information

Size:	13W/20W/33W
Housing:	Die-cast Aluminum Housing
Finish:	Protective powder coat
Colors:	Standard: Black (BK) Optional: White (WH), Grey (GY)
Mountings:	Standard: Wall Mount
Lens:	Glass
CRI:	80
Power factor:	.90
THD:	<15%
Voltage:	Standard: 120-277V
Dimming:	Standard: 0-10V
Operating Temperature:	-40°F to 104°F
Sensor:	Standard: No sensor
Photocell:	Standard: Photocell with ON/OFF dip switch
Warranty:	10-Year Limited Warranty

Performance Data

Lumen Output:

1,559 to 4,571 lm

Lumens Per Watt (typical):

120 to 138 lm/W

CCT:

3000K
4000K
5000K

Distribution:

45°
75°

Lifespan:

Up to 100,000 running hours

Ratings & Certificates

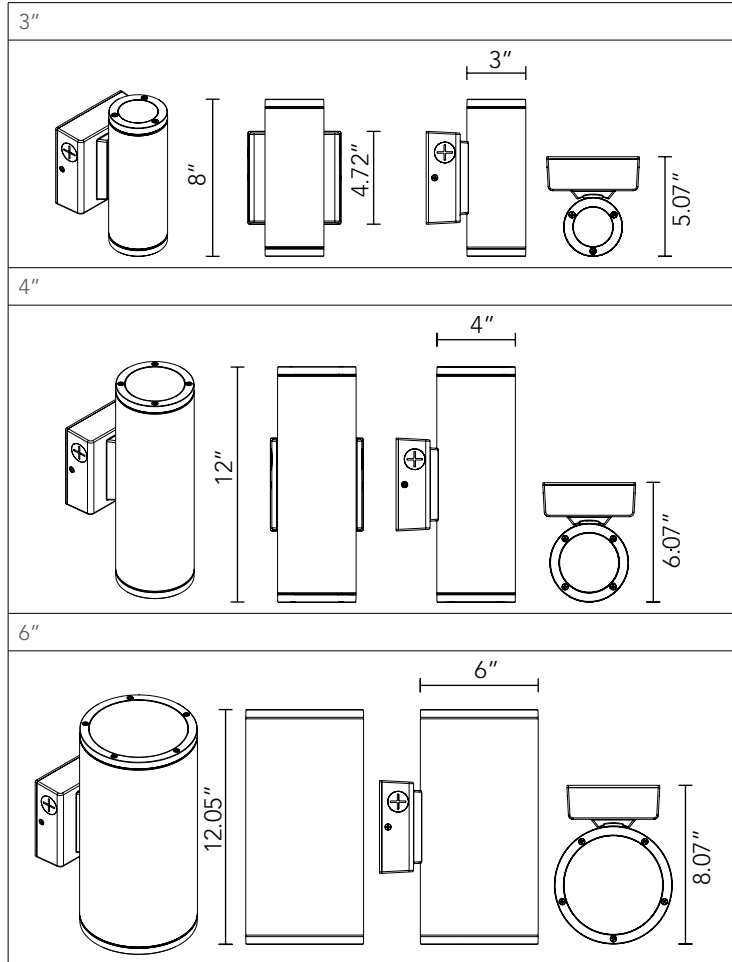
UL Listed For Wet Location





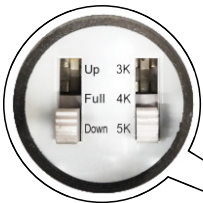
Dimension

Item	Length	Height	Width
3"	3"	8"	5.07"
4"	4"	12"	6.07"
6"	6"	12.05"	8.07"





Uplight/Downlight flux ratio adjustable



FAO Controllers

Easy access to uplight and downlight switch. Smart control switch for selectable CCT.

Mounting Option

Different mounting options suitable for all environments.



Photocell

Easy access to photocell switch

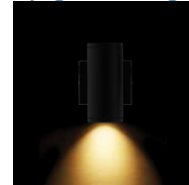


Quick Mount Plate

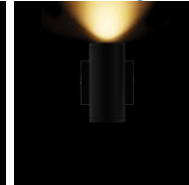
Included quick mount plate for easy and contractor friendly installation.



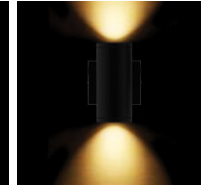
Uplight/Downlight flux ratio adjustable



Downlight



Uplight



Up & Down



Project Name	
Catalog #	
Job Type	
Prepared By	
Notes	

Fixture Ordering Information

Part #	Wattage	Lumens	Kelvin	Voltage	Distribution	Color
LL-CWMS-4-20-3CCT-UNV-45D-BK-PC	20	2542	3000K 4000K 5000K	120-277	45 DEGREE	Black
LL-CWMS-6-33-3CCT-UNV-45D-BK-PC	33	4571	3000K 4000K 5000K	120-277	45 DEGREE	Black
LL-CWMS-3-13-3CCT-UNV-75D-BK-PC	13	1559	3000K 4000K 5000K	120-277	75 DEGREE	Black
LL-CWMS-4-20-3CCT-UNV-75D-BK-PC	20	2542	3000K 4000K 5000K	120-277	75 DEGREE	Black
LL-CWMS-6-33-3CCT-UNV-75D-BK-PC	33	4571	3000K 4000K 5000K	120-277	75 DEGREE	Black
LL-CWMS-4-20-3CCT-UNV-45D-WH-PC	20	2542	3000K 4000K 5000K	120-277	45 DEGREE	White
LL-CWMS-6-33-3CCT-UNV-45D-WH-PC	33	4571	3000K 4000K 5000K	120-277	45 DEGREE	White
LL-CWMS-3-13-3CCT-UNV-75D-WH-PC	13	1559	3000K 4000K 5000K	120-277	75 DEGREE	White
LL-CWMS-4-20-3CCT-UNV-75D-WH-PC	20	2542	3000K 4000K 5000K	120-277	75 DEGREE	White
LL-CWMS-6-33-3CCT-UNV-75D-WH-PC	33	4571	3000K 4000K 5000K	120-277	75 DEGREE	White
LL-CWMS-4-20-3CCT-UNV-45D-GY-PC	20	2542	3000K 4000K 5000K	120-277	45 DEGREE	Grey
LL-CWMS-6-33-3CCT-UNV-45D-GY-PC	33	4571	3000K 4000K 5000K	120-277	45 DEGREE	Grey
LL-CWMS-3-13-3CCT-UNV-75D-GY-PC	13	1559	3000K 4000K 5000K	120-277	75 DEGREE	Grey
LL-CWMS-4-20-3CCT-UNV-75D-GY-PC	20	2542	3000K 4000K 5000K	120-277	75 DEGREE	Grey
LL-CWMS-6-33-3CCT-UNV-75D-GY-PC	33	4571	3000K 4000K 5000K	120-277	75 DEGREE	Grey

Accessories Ordering Information

Part #	Description
CWM-EM-BK	Emergency Battery Back Up For Cylinder Wall Mount Black
CWM-EM-WH	Emergency Battery Back Up For Cylinder Wall Mount White
CWM-EM-GY	Emergency Battery Back Up For Cylinder Wall Mount Gray

* Please contact LITELUME for all Custom Option Requests