



# Microwave Motion Sensor (ODS)



## Description

The Litelume Microwave Motions Sensor ( ODS ) is innovative and active motion detectors with HF system 5.8GHz. Motion can be detected through plastic, glass and thin non-metal materials, except the higher mounting height 15M Max.

The sensors allow energy saving without compromising comfort. When used in combination with 1-10V dimmable LED drivers or ballasts, they can achieve 3-step dimming function. This is perfect for use in some areas that require a light change before complete switch off.

## Specifications

Operating Voltage:	Operating Voltage: 120-277VAC, 50Hz/60Hz
Rated Load:	400W@120VAC, 800W@220-277VAC (inductive) 800W@120VAC, 1200W@220-277VAC (resistive)
HF System:	5.8GHz±75MHz, ISM wave band
Transmitting Power:	<0.5mW
Power Consumption:	≤ 0.8W(standby), <1.5W(operation)
Detection Zone:	Max.(D x H): 16m x 15m
Detection Sensitivity:	100% / 50%
Hold Time:	5s / 30s / 90s / 3min / 20min / 30min
Daylight Sensor:	50lux / 100lux / 200lux / Disable
Stand-by Period;	5s / 5min / 10min / 30min / 1h / +
Stand-by Dimming Level:	10% / 20% / 30% / 50%
Mounting Height:	15m Max.
Motion Detection:	0.5-3m/s
Detection Angle:	150°(wall installation), 360°(ceiling installation)
Operating Temperature:	-35°C to 70°C

## Features

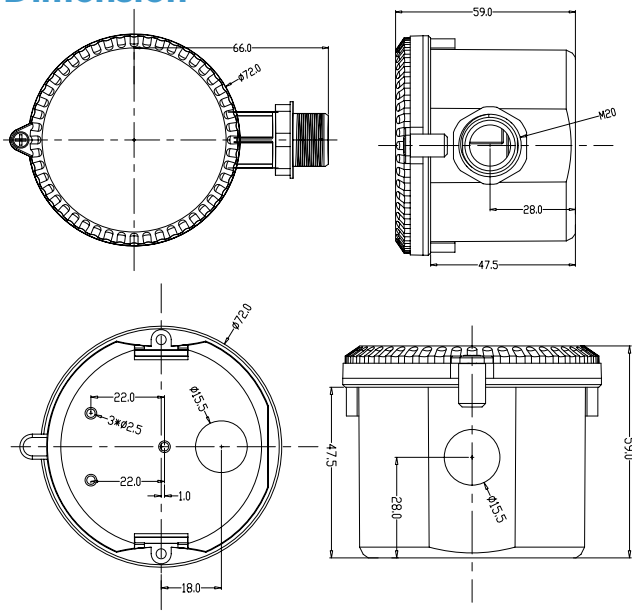
- Automatic dimming when used in combination with 1-10V dimmable LED drivers or ballasts.
- Built-in adjustable daylight sensor.
- Detection area, time delay and daylight threshold can be precisely set via DIP switch.
- Wide detection area, range up to 16m in diameter and mounting height 15M Max. Suitable for warehouse use.
- Optional mounting brackets for different application.

## Warranty

- 5 Year Warranty



### Dimension





<b>Project Name</b>	
<b>Catalog #</b>	
<b>Job Type</b>	
<b>Prepared By</b>	
<b>Notes</b>	

## Ordering Information

<b>Part #</b>	<b>Wattage</b>
ODS	Microwave Motion Sensor *120-277V ONLY*

\* Please contact LITELUME for all Custom Option Requests