

# All Season Hazardous Location Installation Instructions

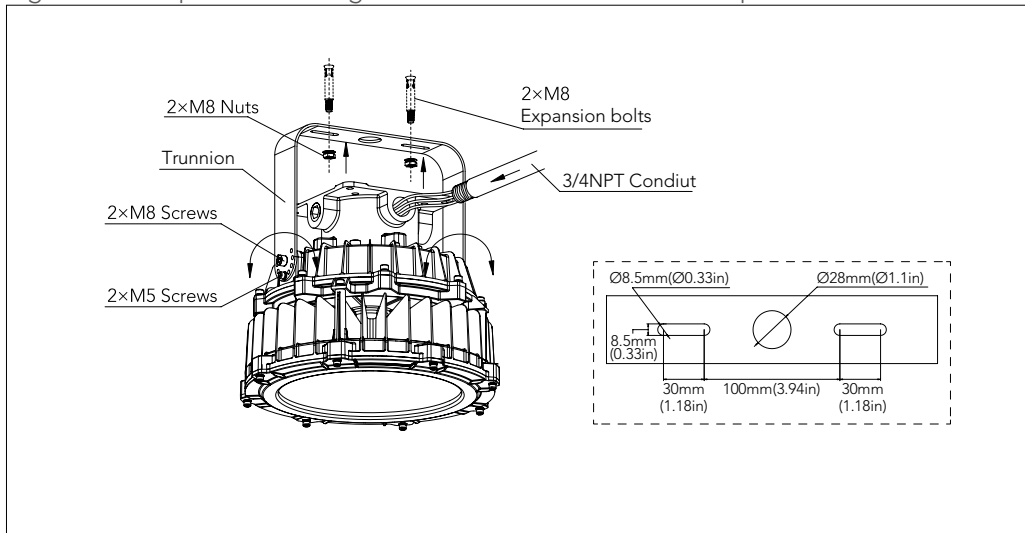


## ⚠ Important Information

- Before installation, please carefully check the fixture label and parameters and confirm whether there is any damage, if there is any damage, please contact the supplier in time.
- To prevent personal injury or product damage only licensed electricians should install.
- To avoid electric shock or component damage disconnect power before attempting installation or servicing.
- This product must be installed in accordance with the national electric code (NEC) and all applicable federal, state and local electric codes and safety standards.
- Disconnect product and allow cooling prior to servicing.
- Any alteration or modification of this product is expressly forbidden as it may cause serious personal injury, death, property damage and/or product malfunction.
- To prevent product malfunction and/or electrical shock this product must be properly grounded.
- This luminaire is designed to operate in ambient temperatures ranging from  $-40^{\circ}\text{C}$  to  $65^{\circ}\text{C}$  and should not light upward.
- The luminaire provided with a steel rope as support during installation or field inspection.
- This product must be installed in accordance with the applicable installation code by a Person familiar with the construction and operation of the product and the hazards involved.
- Min  $90^{\circ}\text{C}$  supply conductors.
- This product is not available for several special environments, such as places with corrosive gas liquids or high pressure water vapor.

## Trunnion Mount Installation

1. Fix the fixture bracket to the mounting surface with M8 screws and adjust the fixture angle through the M5 screws on the bracket.
2. The fixture outside the wire is introduced into the customer's junction box through the 3/4NPT wire guide.
3. Align 3/4NPT conduit to the inlet thread of luminaire and screw in and lock it.
4. Follow the wiring diagram to complete the wiring and ensure that there are no exposed conductors.

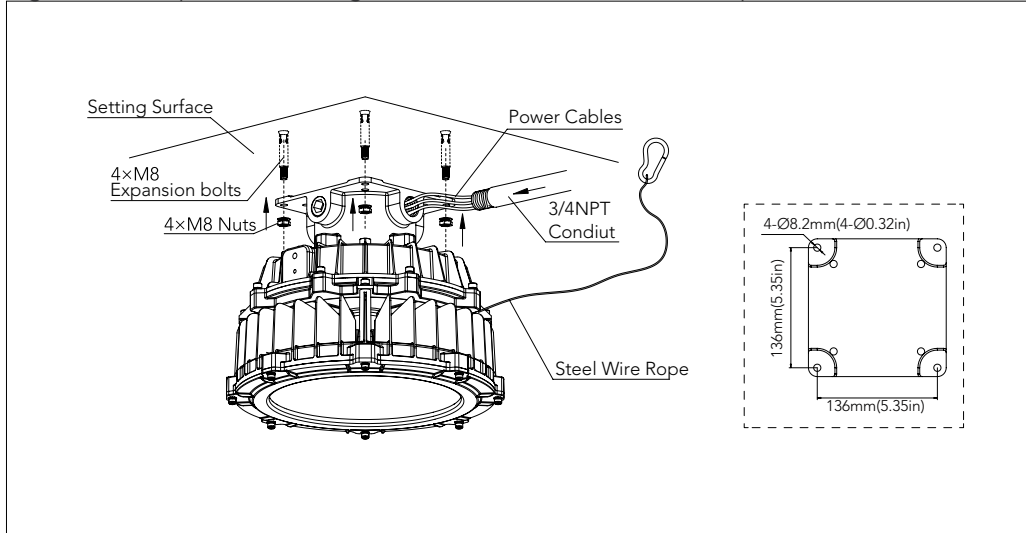


# All Season Hazardous Location Installation Instructions



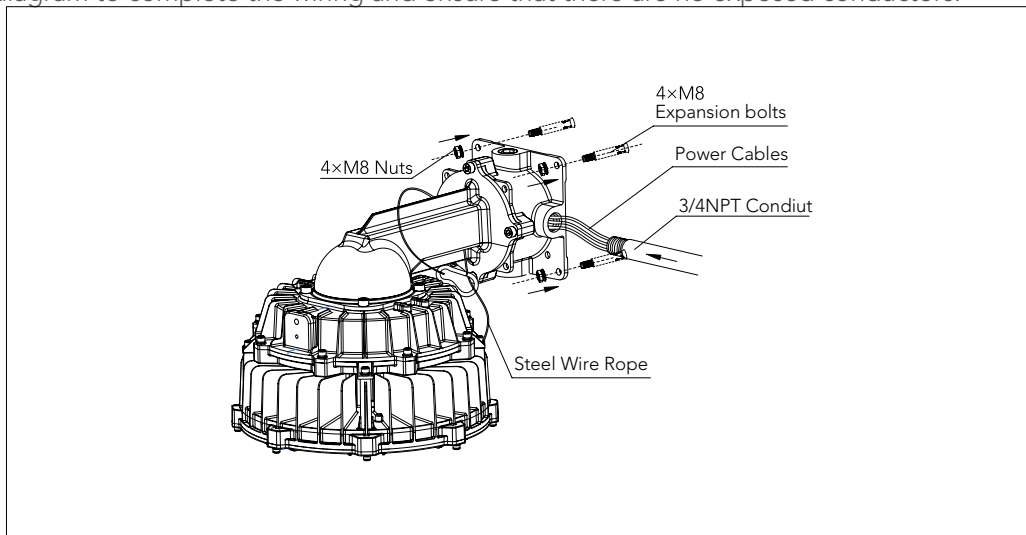
## Ceiling Mount Installation

1. Secure the fixture to the mounting surface with 4xM8 screws.
2. The fixture outside the wire is introduced into the customer's junction box through the 3/4NPT wire guide.
3. Align 3/4NPT conduit to the inlet thread of luminaire and screw in and lock it.
4. Follow the wiring diagram to complete the wiring and ensure that there are no exposed conductors.



## Wall Mount Installation

1. Secure the fixture to the mounting wall with 4xM8 screws.
2. The fixture outside the wire is introduced into the customer's junction box through the 3/4NPT wire guide.
3. Align 3/4NPT conduit to the inlet thread of luminaire and screw in and lock it.
4. Follow the wiring diagram to complete the wiring and ensure that there are no exposed conductors.

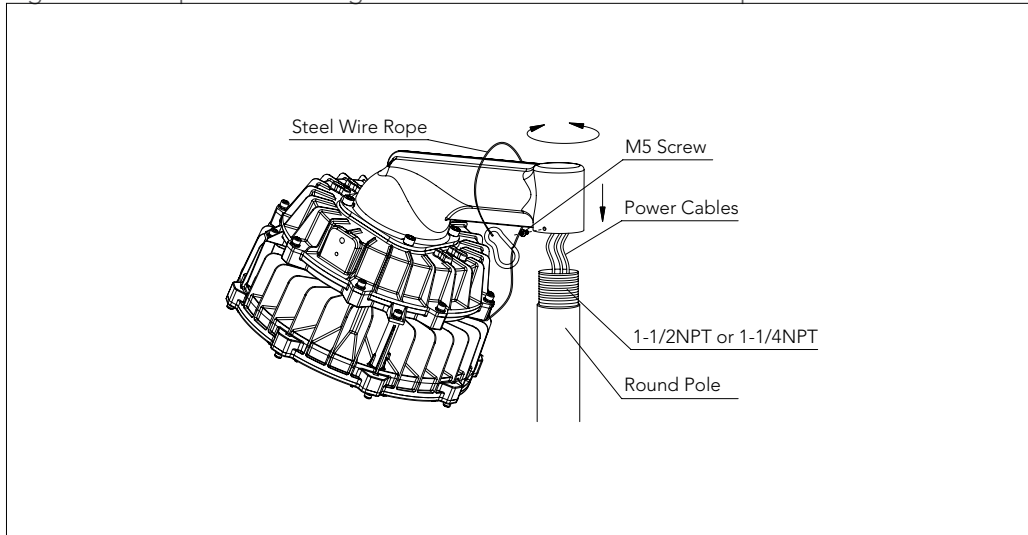


# All Season Hazardous Location Installation Instructions



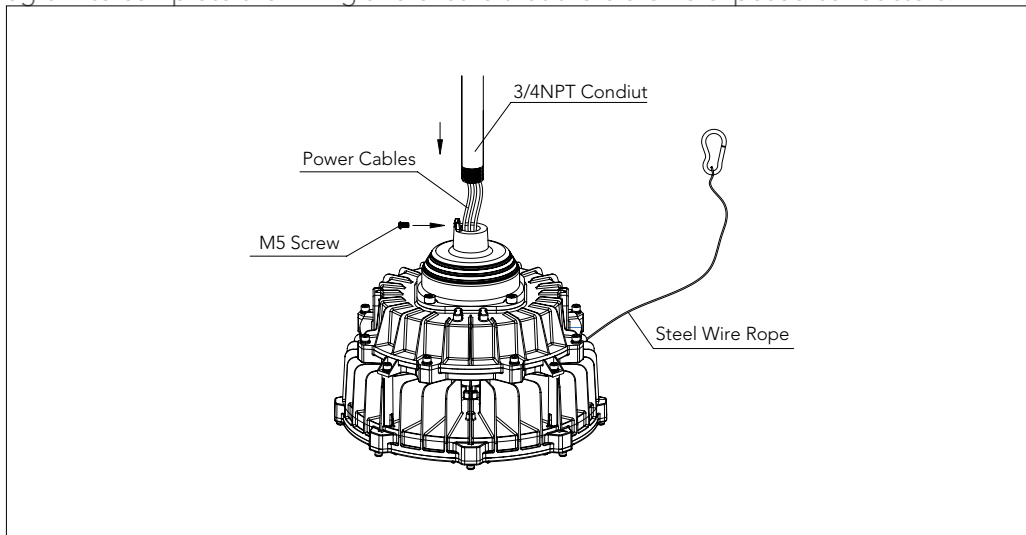
## Round Pole Mount Installation

1. Introduce the fixture wire into the inside of the round pole (Supplied by others).
2. Align 1-1/2NPT or 1-1/4NPT round pole to the inlet thread of luminaire and screw in and lock it.
3. Lock the M5 screw at the bottom of the fixture mounting hole to ensure reliable installation of the fixture.
4. Follow the wiring diagram to complete the wiring and ensure that there are no exposed conductors.



## Pendant Mount Installation

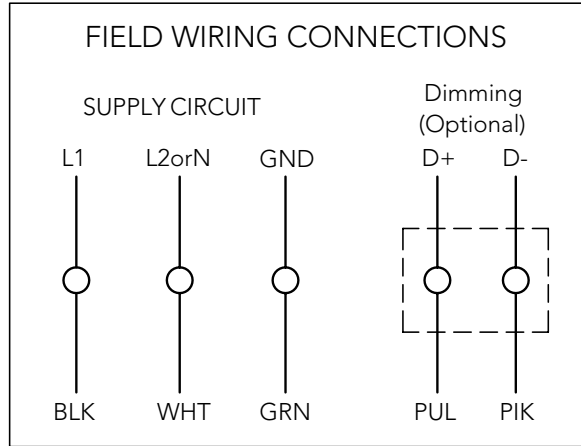
1. The fixture outside the wire is introduced into the customer's junction box through the 3/4NPT wire guide.
2. Align 3/4NPT conduit to the inlet thread of luminaire and screw in and lock it.
3. Lock the M5 screw on the top of the fixture inlet hole to ensure reliable installation of the fixture.
4. Follow the wiring diagram to complete the wiring and ensure that there are no exposed conductors.



# All Season Hazardous Location Installation Instructions



## Wiring Diagram



## Schematics

