



Bollard Premier



Description

The LITELUME™ Bollard Premier (LL-BOLP) features an anti-corrosion die-cast aluminum housing and state of the art new design. Featuring 3 level lumen output and 3 color adjustable CCT, allowing for customized energy savings and comfortability. Seamless installation for new construction and retrofit applications.

Applications: Security, Pathway, Perimeter, Pedestrian and Walkway lighting.

Fixture Information

Size:	10W/20W/30W
Housing:	Die-cast Aluminum Housing
Installation:	Anchor Bolts Included
Finish:	Protective powdercoat
Lens:	High- Impact Polycarbonate Lens
Color:	Standard: Bronze (BZ) Optional: Black (BK), White (WH)
Power Factor:	>.90
CRI:	>80
THD:	<20%
Operating Temperature:	-40°C to 55°C (-40°F to 131°F)
Voltage:	Standard: 120-277V
Surge Protection:	Standard: 4kV
Dimming:	Standard: 0-10V
Sensor:	Standard: No sensor
Warranty:	10-Year Limited Warranty

Performance Data

Lumen Output:

1178 to 3,534 lm

Lumens Per Watt (typical):

117 lm/W

CCT:

3000K/4000K /5000K Selectable

Lifespan:

Up to 100,000 hours

Ratings & Certificates

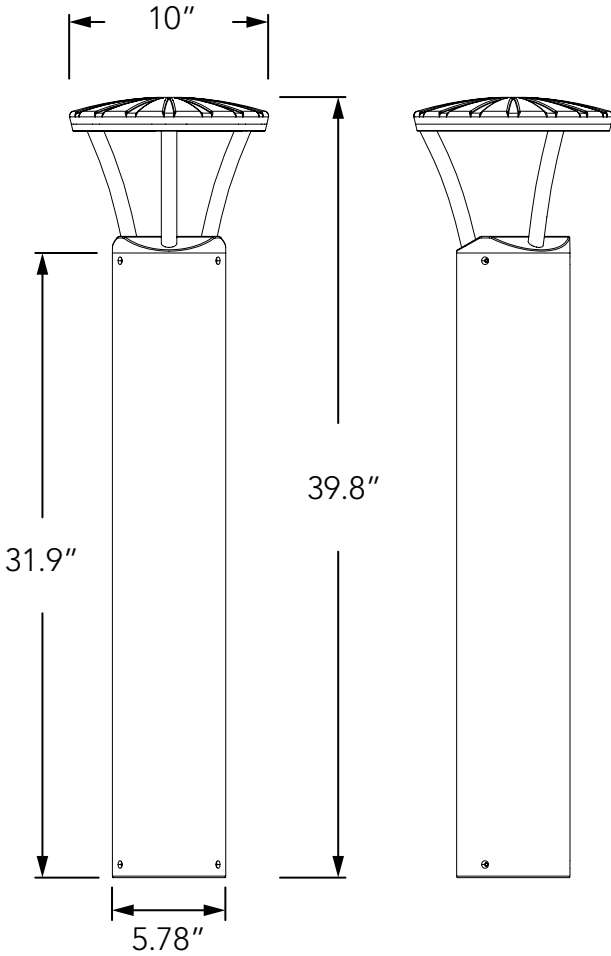
UL Listed for Wet Location
IP65



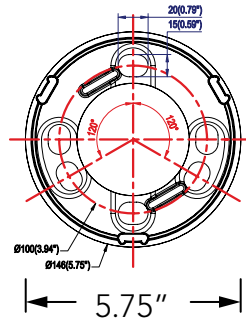


Dimensions

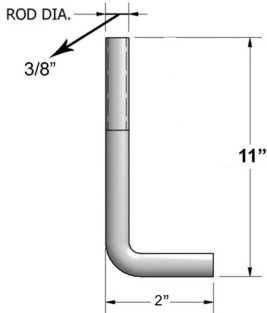
Item	Diameter 1	Diameter 2	Height 1	Height 2
LL-BOLP	10"	5.78"	31.9"	39.8"



Versatile mounting holes



Anchor bolts included



- * 3PCS to 1 set
- * Includes 3/8"x11"x2" anchor bolt, hex nut, & washer



Features

Extruded aluminum tube provides strength and durability as well as protects and conceals the component wiring

Terminal block provided on base bracket for easy installation of incoming supply wires

Quick disconnect located near the terminal block for simple connection to the LED driver.

Versatile mounting plate allows for easy installation and replacement for any project or development



LED compartment is airtight to prevent fogging and condensation build up and keep water out

Clear UV resistant polycarbonate lens allows for optimal light transmission and protects the light engine compartment from harsh environments

Aluminum reflector designed to reduce glare and produce an even distribution

Driver is mounted under the LED compartment for easy replacement and to protect from water that may accumulate in the base of the bollard. Torx security screws secure the LED compartment to the base to deter vandalism



Easy access to the control switch for a range of CCTs and wattages to choose from



Project Name	
Catalog #	
Job Type	
Prepared By	
Notes	

Fixture Ordering Information

Part #	Wattage	Lumens	CCT	Voltage	Distribution
LL-BOLP-[10][20][30]-3CCT-UNV-BZ	10W/20W/30W	1178/2356/3534	3 CCT	120-277	T5
LL-BOLP-[10][20][30]-3CCT-UNV-BK	10W/20W/30W	1178/2356/3534	3 CCT	120-277	T5
LL-BOLP-[10][20][30]-3CCT-UNV-WH	10W/20W/30W	1178/2356/3534	3 CCT	120-277	T5