



# Bi-Level PIR Motion Sensor 33



LL-100 Remote Control

## Description

The Litelume Bi-level PIR Motions Sensor 33 ( MS33 ) indoor sensors provide multi-level occupancy control, controlling 0-10V LED drivers and dimming ballasts. All parameters are adjustable via a wireless configuration tool capable of storing and transmitting sensor profiles.

## Specifications

Power Supply:	120~277VAC, 50Hz/60Hz
Maximum Load @-40°C~75°C	Resistive/Tungsten - 600W@120V Electronic Ballast - 800W/1200W@ 120V/277V
Dim Control Output:	0-10V, max. 25mA sinking current
Detection Radius/angle:	30ft@40ft height/360; 30ft@25ft height/360
Mounting Height:	Max 24ft@ L1, Max 40ft@L2
Remote Range:	50ft (15m) indoor, no backlight
Time Setting:	10sec-60min (adjustable)
Light Control:	10-2000Lux (adjustable)
Humidity:	Max 95% RH
Operating Temperature:	-40°C~75°C

## Features

- Provides line voltage On/Off switching and 0-10VDC dimming control
- Works with ballasts or LED drivers
- High and low modes fully adjustable from 0-10V
- Time delay from 5 to 30 minutes
- Optional cutoff delay
- Adjustable ramp up and fade down times
- High inrush stability zero crossing circuitry for reliable, long-life operation latching relay is durable for all load
- UL773A and FCC

## Warranty

- 5 Year Warranty

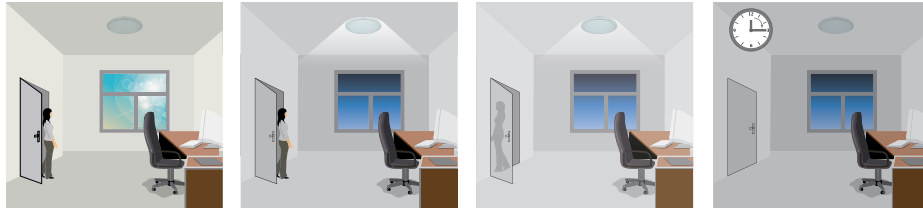


## Operation

The occupancy sensors are designed to mount to a light fixture and control one load in that fixture. They can be wired to control all ballasts in the fixture, or to control half of the ballasts, providing high/low lighting control. When motion is detected within the sensor's coverage area, the relay in the sensor closes, and lighting loads are automatically turned on.

## Corridor Function

For areas that require a light change notice before switch-off, use the corridor function to achieve tri-level control. The MS33 offers 3 levels of light: 100 to dimmed light (natural light is insufficient) to off. There are also 2 periods of selectable waiting time: motion hold-time and stand-by period; selectable daylight threshold and freedom of detection area



With sufficient natural light, the light does not switch on when presence is detected

With insufficient natural light, the sensor switches on the light automatically when presence is detected

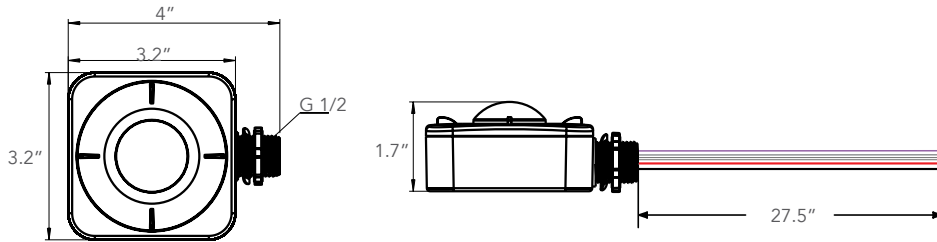
After hold-time, the light dims to stand-by level if the surrounding natural light is below the daylight threshold.

Light switches off automatically after the stand-by period elapses

## Applications

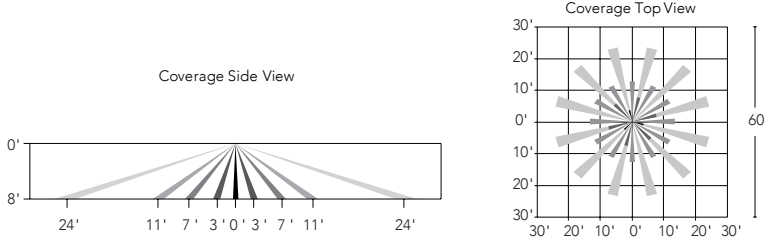
The slim, low-profile MS33 is designed for installation by external lens to connect with light fixture body. The sensor is ideal for areas such as parking facilities, gas stations, pedestrian pathways and warehouses. A choice of two PIR sensor lenses ensures complete coverage for mounting heights up to 40'.

## Dimensions



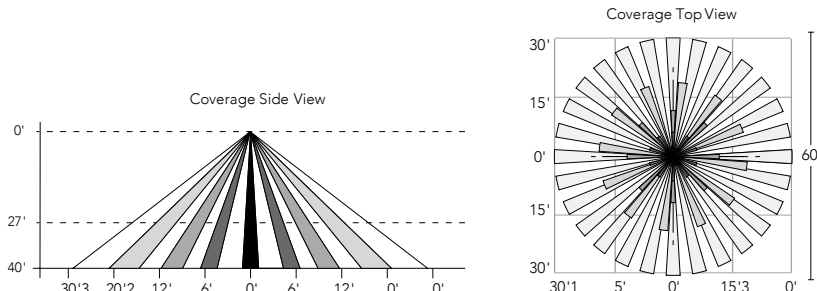
## Coverage Pattern

L1



LW1: 360° Coverage

L2



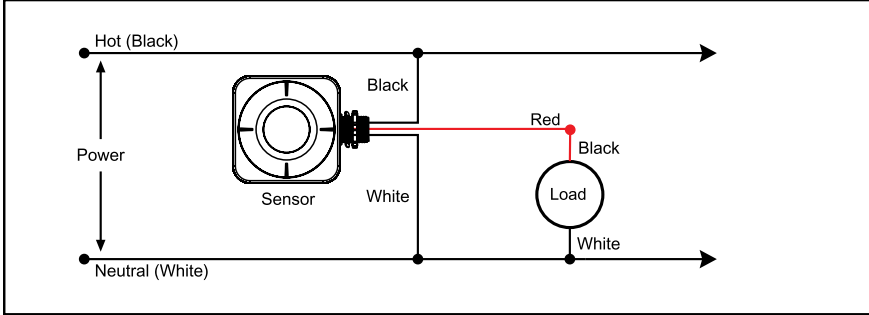
LS2: 360° Coverage



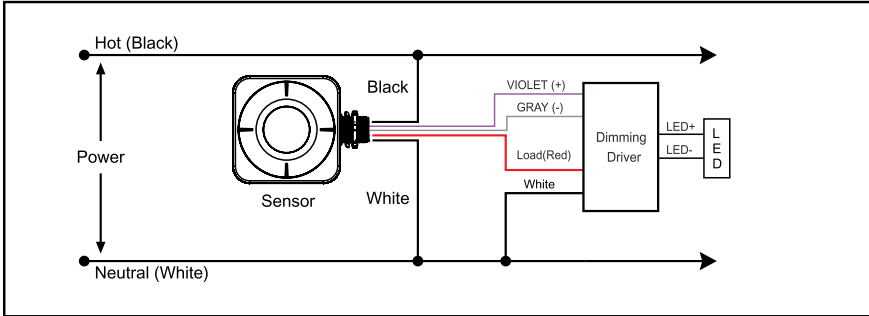
<b>Project Name</b>	
<b>Catalog #</b>	
<b>Job Type</b>	
<b>Prepared By</b>	
<b>Notes</b>	

### Wiring Diagram

Wiring with non-dimming ballast or LED driver



Wiring with dimming ballast or LED driver



### Ordering Information

Part #	Description
MS33	Bi-Level PIR Motion Sensor 33 ( *Must Select Lens Coverage Below* )
L1	L1 Low Bay Coverage Lens
L2	L2 High Bay Coverage Lens
LL-100	Remote Control 100

\* Please contact LITELUME for all Custom Option Requests