



Cylinder Large



8"

10"

Description

The LITELUME™ LED Cylinder Large (LL-CYL-L) is a specification grade field adjustable Downlight luminaire designed for retrofit or new construction. Available in 8", and 10" diameters. Featuring 3 level lumen output and 3 color adjustable CCT, allowing for customized energy savings and comfortability.

Applications include hospitals, schools, restaurants, offices, hallways, conference rooms, bathrooms and many other commercial, residential & Hospitality areas.

Fixture Information

Size:	30W/45W/55W/75W/95W/105W
Housing:	Die-cast Aluminum Housing
Finish:	Protective powdercoat
Lens:	Glass
Color:	Standard: Black (BK) Optional: White (WH), Grey (GY)
Mounting:	Standard: Suspended with Rigid Stem Mount up to 48" Standard: Direct Mount
Power Factor:	.90
CRI:	80
THD:	<15%
Operating Temperature:	-40°F to 104°F
Voltage:	Standard: 120-277V
Dimming:	Standard: 0-10V
Warranty:	10-Year Limited Warranty

Performance Data

Lumen Output:

4,289 to 14,788 lm

Lumens Per Watt (typical):

140 to 142 lm/W

CCT:

3000K/4000K /5000K Selectable

Distribution:

45°
75°

Lifespan:

Up to 100,000 hours

Ratings & Certificates

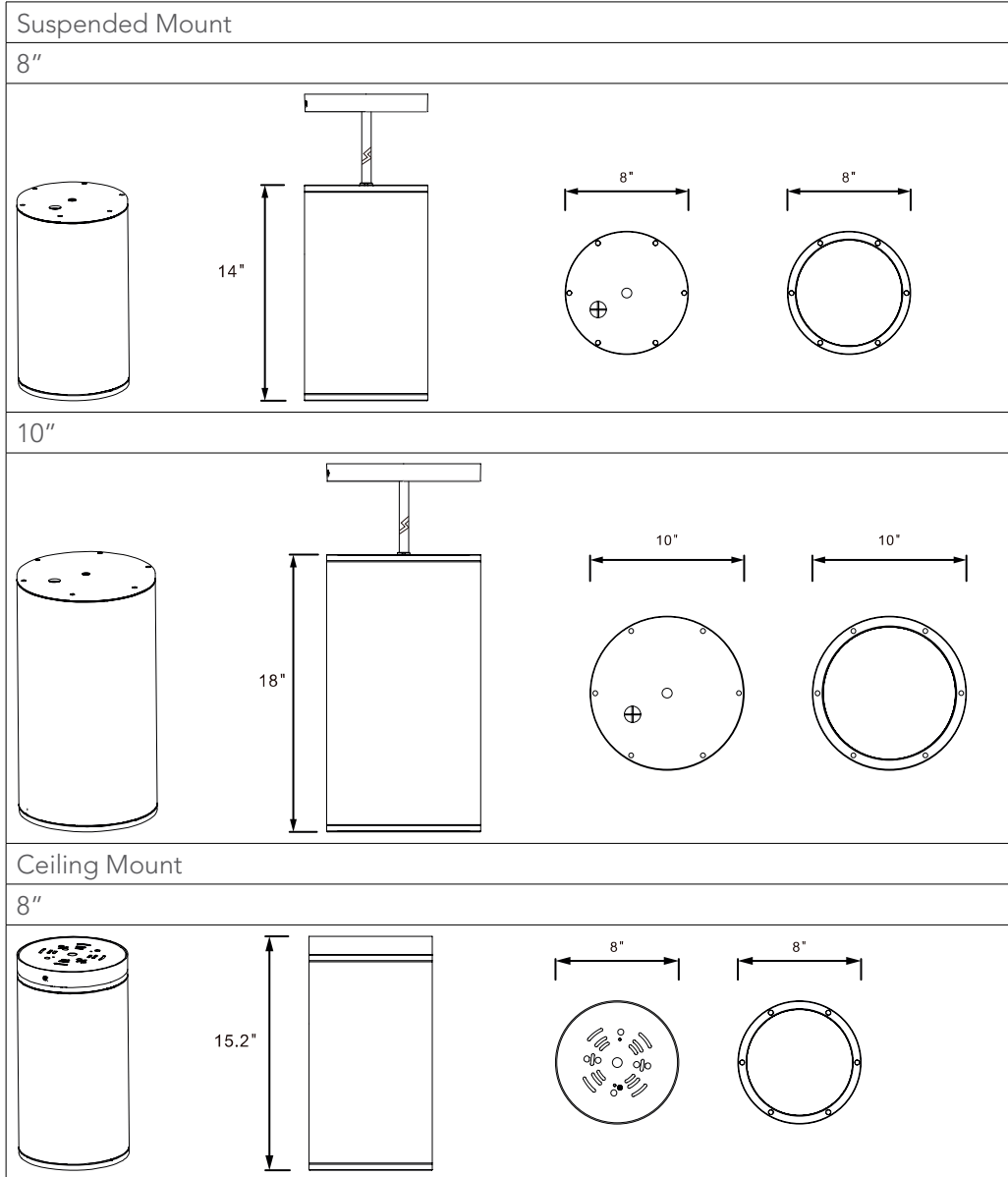
UL Listed for Wet Location





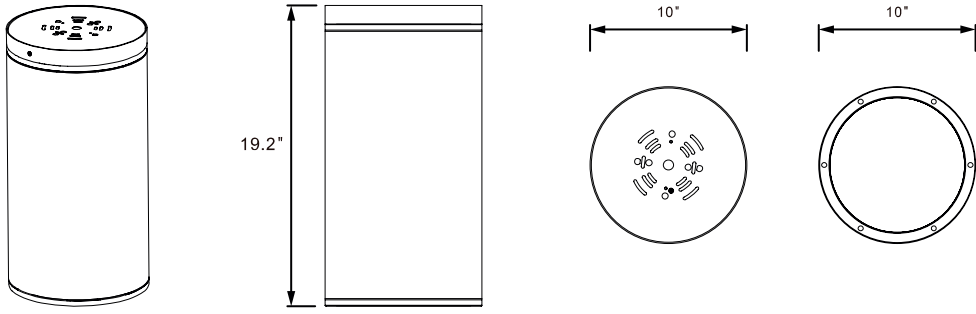
Dimensions

Item	Diameter	Height
8" Suspended Mount	8"	14"
10" Suspended Mount	10"	18"
8" Ceiling Mount	8"	15.2"
10" Ceiling Mount	10"	19.2"
8" Direct Mount	8"	16.42"
10" Direct Mount	10"	20.42"



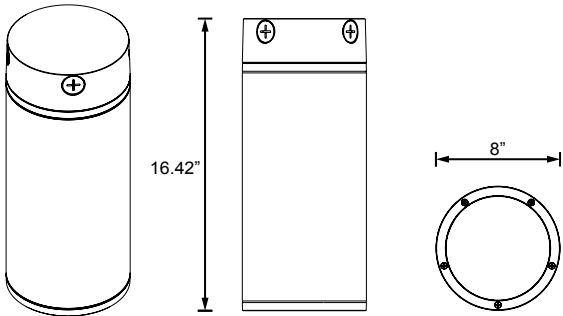


10"

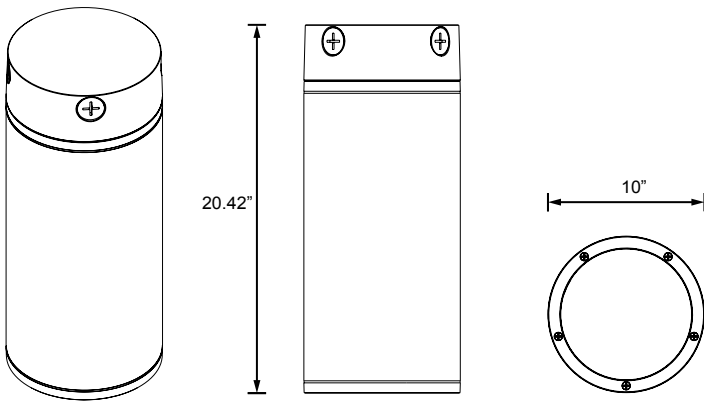


Direct Mount

8"



10"





Features



FAO Controllers

Easy access to uplight and downlight switch. Smart control switch for selectable CCT and wattage.

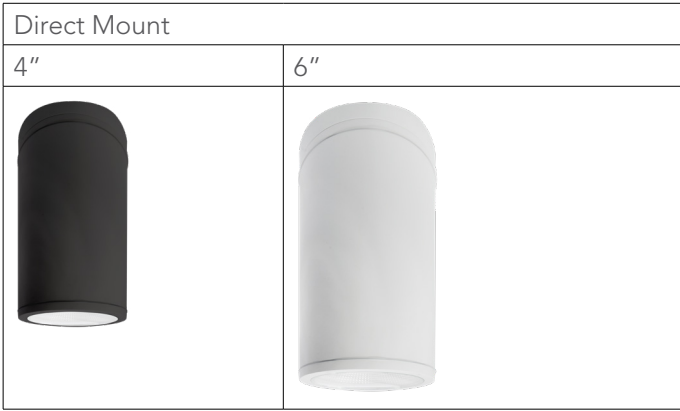


Mounting Options

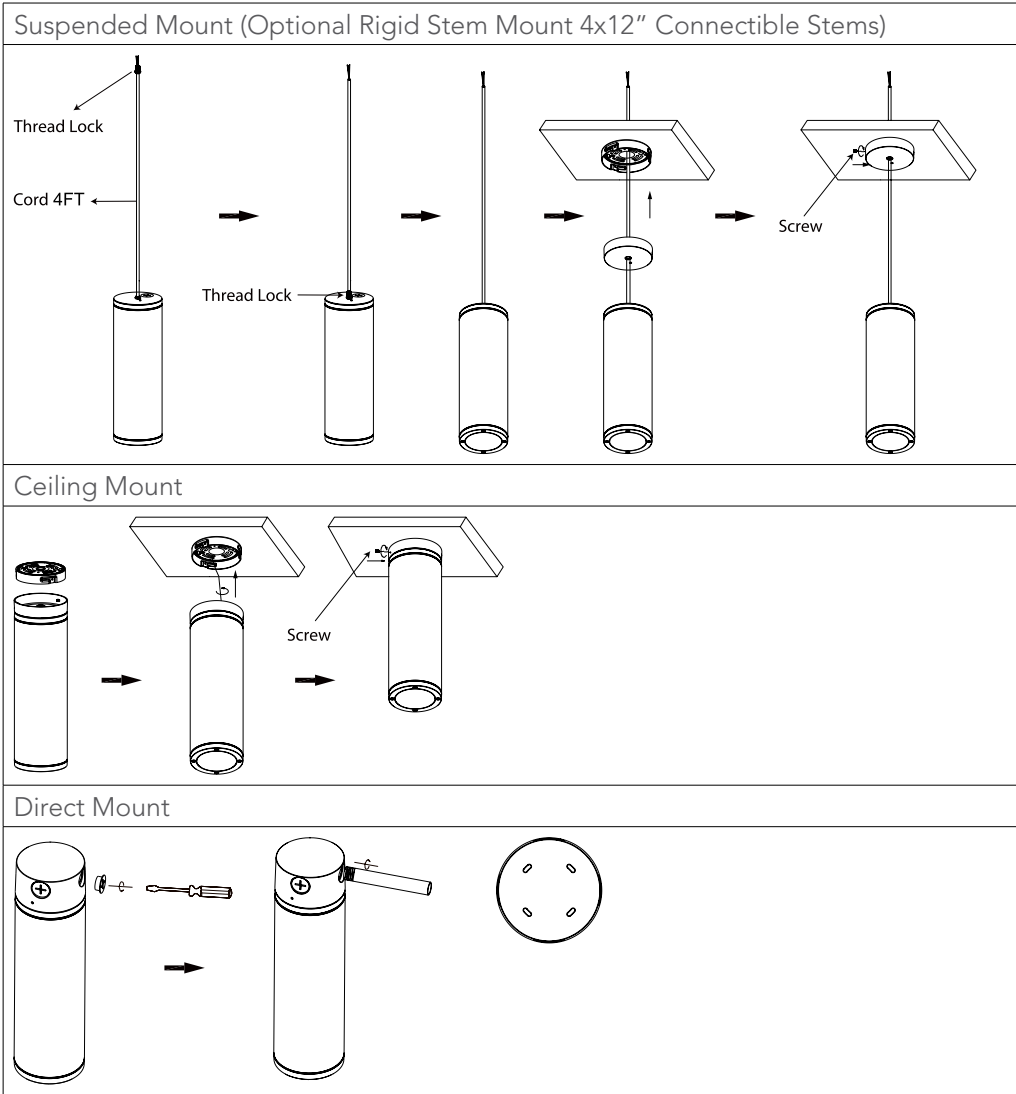
Suspended Mount (Optional Rigid Stem Mount 4x12" Connectible Stems)

3"	4"

Ceiling Mount	
3"	4"



Installation





Project Name	
Catalog #	
Job Type	
Prepared By	
Notes	

Suspended or Ceiling Mount Ordering Information

Part #	Wattage	Lumens	CCT	Voltage	Distribution
LL-CYL-L-8-SC-[30][45][55]-3CCT-UNV-45D-BK	30W/45W/55W	4289/6434/7864	3000K 4000K 5000K	120-277	45°
LL-CYL-L-10-SC-[75][95][105]-3CCT-UNV-45D-BK	75W/95W/105W	10562/13379/14788	3000K 4000K 5000K	120-277	45°
LL-CYL-L-8-SC-[30][45][55]-3CCT-UNV-75D-BK	30W/45W/55W	4289/6434/7864	3000K 4000K 5000K	120-277	75°
LL-CYL-L-10-SC-[75][95][105]-3CCT-UNV-75D-BK	75W/95W/105W	10562/13379/14788	3000K 4000K 5000K	120-277	75°
LL-CYL-L-8-SC-[30][45][55]-3CCT-UNV-45D-WH	30W/45W/55W	4289/6434/7864	3000K 4000K 5000K	120-277	45°
LL-CYL-L-10-SC-[75][95][105]-3CCT-UNV-45D-WH	75W/95W/105W	10562/13379/14788	3000K 4000K 5000K	120-277	45°
LL-CYL-L-8-SC-[30][45][55]-3CCT-UNV-75D-WH	30W/45W/55W	4289/6434/7864	3000K 4000K 5000K	120-277	75°
L-CYL-L-10-SC-[75][95][105]-3CCT-UNV-75D-WH	75W/95W/105W	10562/13379/14788	3000K 4000K 5000K	120-277	75°
LL-CYL-L-8-SC-[30][45][55]-3CCT-UNV-45D-GY	30W/45W/55W	4289/6434/7864	3000K 4000K 5000K	120-277	45°
LL-CYL-L-10-SC-[75][95][105]-3CCT-UNV-45D-GY	75W/95W/105W	10562/13379/14788	3000K 4000K 5000K	120-277	45°
LL-CYL-L-8-SC-[30][45][55]-3CCT-UNV-75D-GY	30W/45W/55W	4289/6434/7864	3000K 4000K 5000K	120-277	75°
LL-CYL-L-10-SC-[75][95][105]-3CCT-UNV-75D-GY	75W/95W/105W	10562/13379/14788	3000K 4000K 5000K	120-277	75°

Accessories Ordering Information

****Required To Use Rigid Stem Mount When Suspending Large Cylinder****

Part #	Description
CYL-RSM-L-BK	Rigid Stem Mount 4 X 12" Pieces Connectible Cylinder Large Black
CYL-RSM-L-WH	Rigid Stem Mount 4 X 12" Pieces Connectible Cylinder Large White
CYL-RSM-L-GY	Rigid Stem Mount 4 X 12" Pieces Connectible Cylinder Large Gray

Suspended or Ceiling Mount Ordering Information

Part #	Wattage	Lumens	CCT	Voltage	Distribution
LL-CYL-L-8-DM-[30][45][55]-3CCT-UNV-45D-BK	30W/45W/55W	4289/6434/7864	3000K 4000K 5000K	120-277	45°
LL-CYL-L-10-DM-[75][95][105]-3CCT-UNV-45D-BK	75W/95W/105W	10562/13379/14788	3000K 4000K 5000K	120-277	45°
LL-CYL-L-8-DM-[30][45][55]-3CCT-UNV-75D-BK	30W/45W/55W	4289/6434/7864	3000K 4000K 5000K	120-277	75°
LL-CYL-L-10-DM-[75][95][105]-3CCT-UNV-75D-BK	75W/95W/105W	10562/13379/14788	3000K 4000K 5000K	120-277	75°
LL-CYL-L-8-DM-[30][45][55]-3CCT-UNV-45D-WH	30W/45W/55W	4289/6434/7864	3000K 4000K 5000K	120-277	45°
LL-CYL-L-10-DM-[75][95][105]-3CCT-UNV-45D-WH	75W/95W/105W	10562/13379/14788	3000K 4000K 5000K	120-277	45°
LL-CYL-L-8-DM-[30][45][55]-3CCT-UNV-75D-WH	30W/45W/55W	4289/6434/7864	3000K 4000K 5000K	120-277	75°
LL-CYL-L-10-DM-[75][95][105]-3CCT-UNV-75D-WH	75W/95W/105W	10562/13379/14788	3000K 4000K 5000K	120-277	75°
LL-CYL-L-8-DM-[30][45][55]-3CCT-UNV-45D-GY	30W/45W/55W	4289/6434/7864	3000K 4000K 5000K	120-277	45°
LL-CYL-L-10-DM-[75][95][105]-3CCT-UNV-45D-GY	75W/95W/105W	10562/13379/14788	3000K 4000K 5000K	120-277	45°
LL-CYL-L-8-DM-[30][45][55]-3CCT-UNV-75D-GY	30W/45W/55W	4289/6434/7864	3000K 4000K 5000K	120-277	75°
LL-CYL-L-10-DM-[75][95][105]-3CCT-UNV-75D-GY	75W/95W/105W	10562/13379/14788	3000K 4000K 5000K	120-277	75°