

## Description

LED Thermoplastic Emergency Unit

## Illumination:

- Long lasting, efficient, ultra bright white LEDs.
- 1.0 watt (8 LEDs x 0.125 watt) per head.
- High performance chrome-plated metalized reflector and plastic lens for optimal light distribution.
- Adjustable LED lamp heads provide optimal center-to-center spacing.

## Electrical:

- Dual 120/277 voltage standard.
- Charge rate/power "ON" LED indicator light and push-to-test switch for mandated code compliance testing.
- 3.6V long life, maintenance-free, rechargeable NiCd battery.
- Internal solid-state transfer switch automatically connects the internal battery to LED lamp heads for minimum 90-minute emergency illumination.
- Fully automatic solid-state, two rate charger initiates battery charging to recharge a discharged battery in 24 hours.

## Mounting:

- Universal knockout pattern on back plate for surface mount. Snaps into place making internal electrical connections.
- Suitable for wall or ceiling mount.
- Knockout for conduit applications.

## Housing:

- Injection-molded, engineering grade, 5VA flame retardant, high-impact resistant, thermoplastic in white or black finish.

## Options:

- SDT: Self-diagnostic feature performs monthly, biannual, and annual tests to ensure reliable operation and meets electrical and life safety codes.
- HL: 12-LED heads provide increased center-to-center spacing (1.5W per head).
- SPV: UL Listed for 208/220/240 Volt, 50/60Hz.
- CSA: Tested 120/347V to meet requirements of CSA C22.2 No. 141.10 standard for emergency lighting equipment.
- CEC: Certified to CEC under Title 20 Regulations.

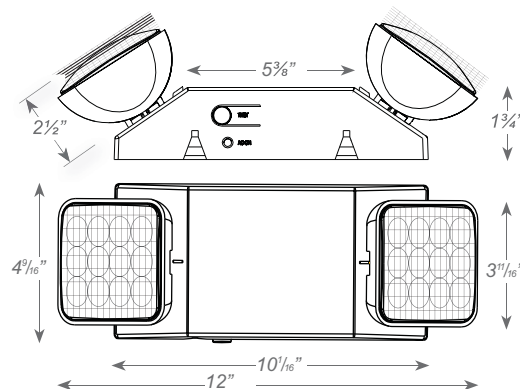
## Warranty/Listing:

- Seven year warranty on all electronics and housing. Battery prorated for five years.
- Meets UL924, NFPA 101 Life Safety Code, NEC, OSHA, Local and State Codes.
- UL (standard)/CSA (optional) listed for damp locations (0°C – 50°C).



**LISTED**

## Dimensions:





<b>Project Name</b>	
<b>Catalog #</b>	
<b>Job Type</b>	
<b>Prepared By</b>	
<b>Notes</b>	

### Fixture Ordering Information

Model	Housing Color		Options	
LL-LEDR1	(blank) B	White Black	SDT HL SPV CSA CEC	Self-Diagnostics High-Lumen 208/220/240 Volt, 50/60Hz <sup>1</sup> 120/347V, 60Hz Input Title 20 Compliant <sup>2</sup>

<sup>1</sup> Not available with SDT.

<sup>2</sup> Not available with SPV or CSA options.