



## Description

### LED Residential Grow Luminaires

The BBG series includes commercial-grade, premium performance LED luminaires for horticultural settings. Provides a full spectrum of PAR (photosynthetically active radiation) for full-cycle cultivation. High-efficacy LEDs (PPF/J of 2.4) reduce energy costs compared to traditional grow luminaires. Longlife LEDs (Q90 of 38,000 hours) virtually eliminates expensive relamping. High-gloss, painted aluminum housings withstand demanding environments. A variety of mounting options simplify height adjustments. Dimming levels are controlled by three-way switch Hi/Lo/Off.

## Features:

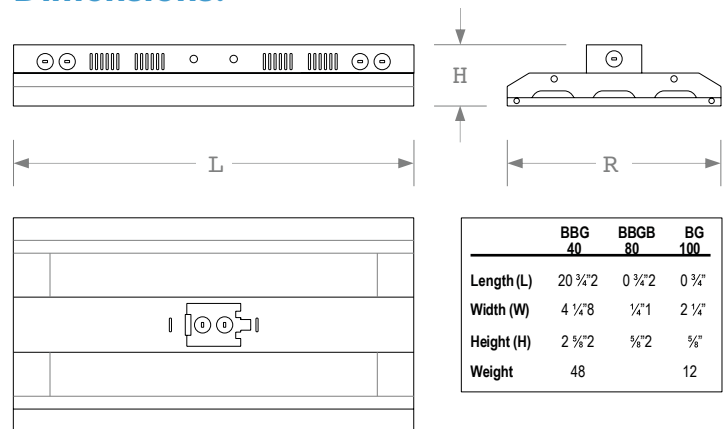
- Complete luminaire comes with the following standard equipment: Fully-functional LED luminaire, one set of V-hooks with hanging chains. Can be mounted with S-hooks.
- AC cord sets (factory-installed) with grounded NEMA 5-15P.
- Three position switch lets user pick High/Low intensities.
- Full spectrum distribution of PAR (photosynthetically active radiation) for full-cycle cultivation US Patent 10,785,921.\*
- Long-life LEDs provide 38,000 hours of operation with at least 90% (Q90) of initial PPF (photosynthetic photon flux).\*\*
- Delivers from 90 micromols ( $\mu\text{mols}$ ) of PPF from a single luminaire to accommodate a variety of growing areas. For increased PPF levels, use multiple luminaires.\*
- Delivers photosynthetic photon efficacy (PPE) of 2.4.
- Universal 120-277 AC voltage (50-60Hz) is standard with 5-15P wall plug and 6' UL Listed power cord.
- 0-10vdc dimming drivers are standard.
- Power factor > 0.90.
- Total harmonic distortion < 20%.
- Painted aluminum housing.
- Standard mounting options include:
  - Chain mounting with V-hooks that attach to luminaire.
  - S-hooks and surface mount options available.

## Warranty/Listing:

- US Patent No. 9,820,447, 10,785,921
- cULus listed for damp locations in ambient temperatures from  $-20^{\circ}\text{C}$  to  $35^{\circ}\text{C}$  ( $-4^{\circ}\text{F}$  to  $95^{\circ}\text{F}$ ).
- Complies with RoHS (Restriction on Hazardous Substances) requirements
- Complies with FCC Part 15, class A.
- Complies with IEEE C.62.41-1991, input transient protection (5kV).
- 10-year warranty of all electronics and housing.

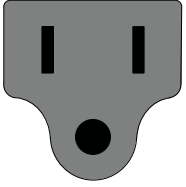


## Dimensions:



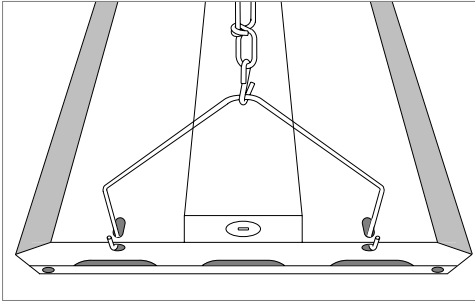


## AC Plugs:

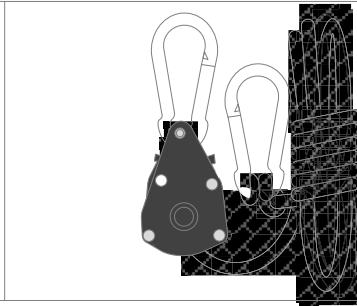


NEMA 5-15P  
(120V)

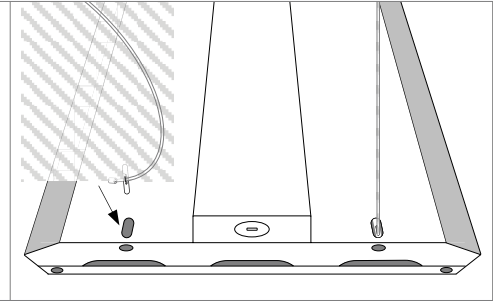
## Hanging Options:



V-Hook & Chains  
(standard)



Ratcheting Tethers  
GL-TETHER  
(standard)



Cable-Mounting Kits  
GLLED-CMK3 (3 meters)  
GLLED-CMK5 (5 meters)  
(standard)



|                     |  |
|---------------------|--|
| <b>Project Name</b> |  |
| <b>Catalog #</b>    |  |
| <b>Job Type</b>     |  |
| <b>Prepared By</b>  |  |
| <b>Notes</b>        |  |

### Fixture Ordering Information

| Model  | Input Power (Joules) | Color Spectrum |               | Input Voltage |          | Cordsets (Length = 5 Meters) |                   | Accessories (Order Separately)       |   |
|--------|----------------------|----------------|---------------|---------------|----------|------------------------------|-------------------|--------------------------------------|---|
|        |                      | FS             | Full Spectrum | UNV           | 120-277V | AC5M120                      | 120V (NEMA 5-15P) | CRLENS                               | Clear Lens  |
| LL-BBG | 40<br>80<br>100      | FS             | Full Spectrum | UNV           | 120-277V | AC5M120                      | 120V (NEMA 5-15P) | DIFLENS<br>CMK3<br>CMK5<br>GL-TETHER | Diffuse Lens<br>Cable-mounting kit, 6'<br>Cable-mounting kit, 8'<br>Of ratcheting hanging tethers |