



12-24V DC 0-10V 120-277V Bluetooth PIR Sensor



Description

The BRI823-B-D-BLE-GE uses PIR motion detector architecture and passive infrared (PIR) technology for improved detection coverage for high bay applications.

Overview

- PIR sensor.
- Bluetooth® SIG mesh.
- High-End Trim, Zoning, Continuous Bi-level Dimming.
- LED Motion indicator.
- Mounting height up to 40 ft.
- 360° coverage pattern.
- Line Voltage connector.
- Technology Partner GEBC.

Features and Benefits

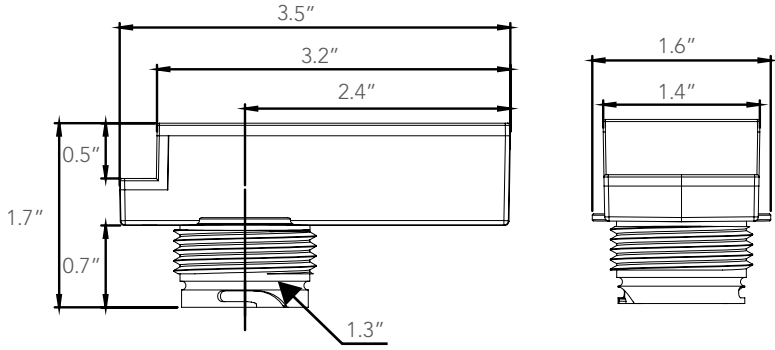
- Bluetooth to 0-10V signal converter Bluetooth® mesh network.
- Built-in 20mA 0-10V signal output.
- Mesh network, which has a much longer control distance, transmits received signals to neighboring devices.
- All devices on 0-10V line are broadcast controlled by mobile application.
- In typical outdoor environment, the typical range for wireless communication is 164ft (50m).
- Actual range is dependent on field installation.
- Available with button reset (press the button on sensor for 5 seconds) and remote reset (press "RESET" + "ON/OFF" buttons in sequence).
- On-board antenna.

Technical Data


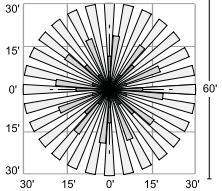
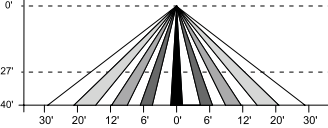
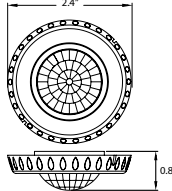

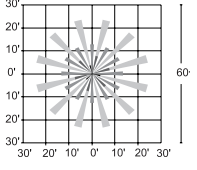
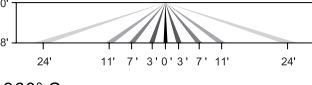
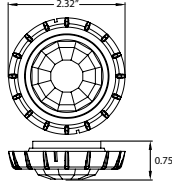
Motion Sensor	Passive infrared sensor
Input Power	120/277VAC 50/60Hz
Control Output	0-10V, max 25mA sinking current
Maximum load	Resistive/Halogen - 800W @120V/1200W@277V Electronic Ballast - 6600W @120V/1200W @277V Electronic Ballast (LED/CFL) - 5A@120V/5A@277V
Lens L3 (High bay)	Max. detection radius 30ft; Max. mounting height 25ft
Lens L4 (Low bay)	Max. detection radius 30ft; Max. mounting height 40ft
Operating Temperature	-40°C to +70°C
Wireless Standards	5.0 Bluetooth Mesh
Max Bluetooth Range	100ft (30m)
Warranty	5 years



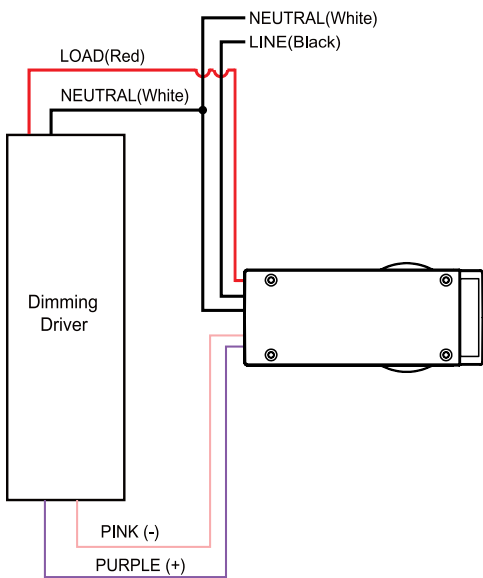
Dimensions



Sensor Coverage

L3 Low Bay			
	Top View	Side View	Dimensions
			
L4 High Bay			
	Top View	Side View	Dimensions
			

Wiring Diagram





Project Name	
Catalog #	
Job Type	
Prepared By	
Notes	

Ordering Information

Part #	Description
BRI823-B-D-BLE-GE	Homewell GEBC 12-24V DC 0-10V 120-277V Bluetooth PIR Sensor