



Contractor Select Round Straight Steel Pole

NOTE: BASE COVER, ANCHOR BOLT KIT & TEMPLATE INCLUDED

Description

The LITELUME™ Series Contractor Select Round Straight Steel poles are built from high strength steel tube and are available side drilled for arm mounted area lighting luminaires or with tenon mounts for flood and post top luminaires. Typical area lighting applications include retail centers, industrial parks, schools and universities, public transit and airports, office buildings and medical facilities. Mounting heights of 10 to 30 feet can be used based on selected luminaire application.

Fixture Information

- Finish: Textured architectural bronze powder-coat finish, baked to ensure maximum paint adhesion, hardness and durability.
- Anchor Bolts: Anchor bolt kit & template included
- Hand Hole: Cast iron reinforced hand hole and cover with ground screw.
- Base Cover: Poles are provided with a two-piece formed steel base cover that is easily assembled and fitted over pole base.
- Surface Treatment: Hot-dip galvanizing.
- Pole Length: Poles are available in standard lengths as shown in the order matrix. Poles can be custom cut to order. Consult factory.

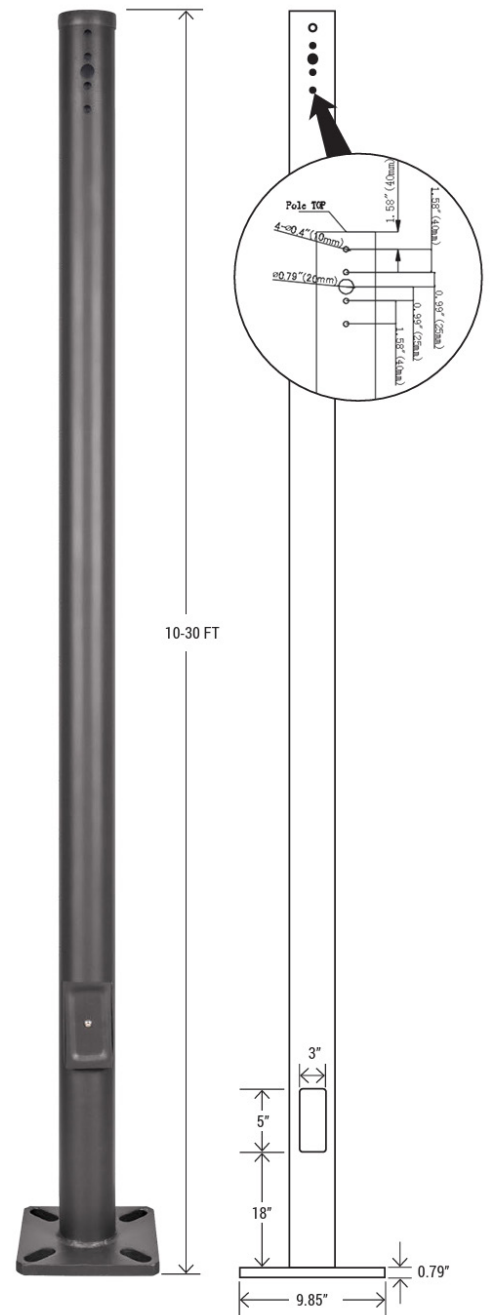
Specification

Conforms to ASTM-A 500 Grade B: Minimum Yield Strength of 46,000 PSI.

Catalog Number	10ft	15ft	20ft	25ft	30ft
LL-CS-RSS-10-3-11-FT	L=3.0(m)	L=4.6(m)	L=6.1(m)	L=7.6(m)	L=9.1(m)
LL-CS-RSS-15-4-11-FT					
LL-CS-RSS-20-4-11-FT					
LL-CS-RSS-25-4-11-FT					
LL-CS-RSS-30-5-11-FT					

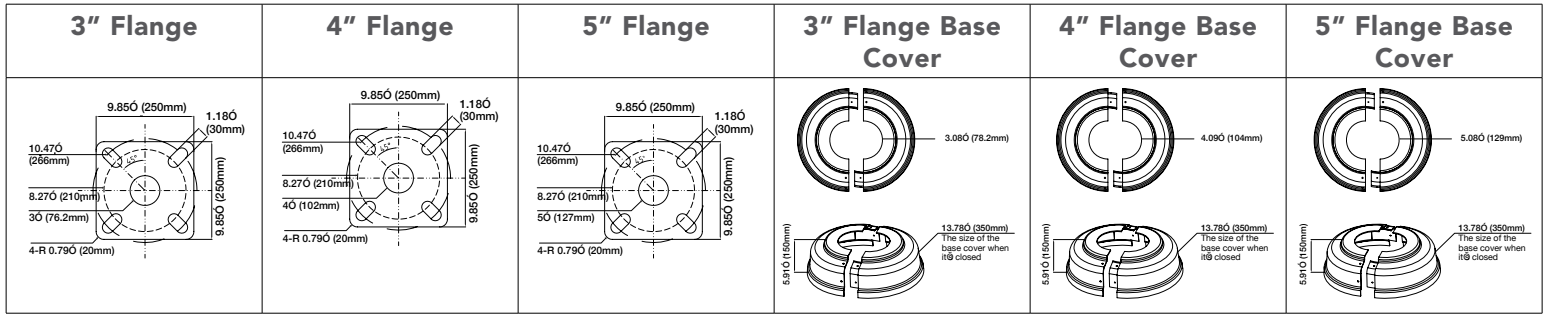
Ordering Information

Company	Square Straight Steel Pole	Ground Height	Size	Thickness	Finish
LL	CS-RSS	10FT - (3.0 M) 15FT - (4.6 M) 20FT - (6.1 M) 25FT - (7.6 M) 30FT - (9.1 M)	3 - (3" diameter) 4 - (4" diameter) 5 - (5" diameter)	11G - (11 gauge)	BZ - Bronze BK - Black



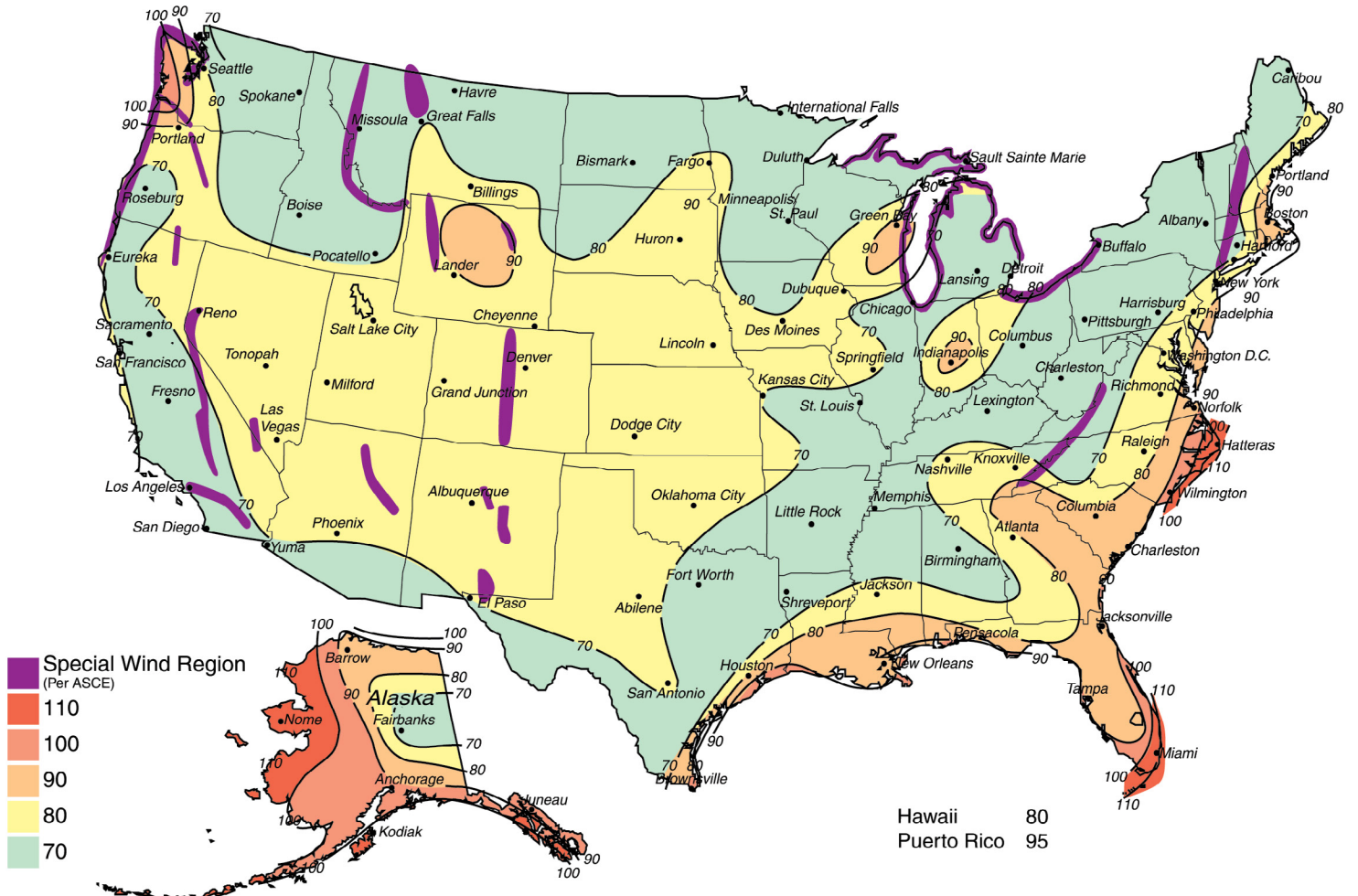


Dimension



Dimension Data

Catalog	Height	Gauge	Size	Bolt Size	Weight (lbs)	EPA 70	EPA 80	EPA 90	EPA 100	EPA 110	EPA 120
LL-CS-RSS-10-3-11-FT	10ft	11	3" dia.	M0.75"X 19.69"X 3.94"	72	26.2	22.5	20.1	16.4	11.3	9.6
LL-CS-RSS-15-4-11-FT	15ft		4" dia.		95	17.8	14.6	12.3	10.9	8.2	6.4
LL-CS-RSS-20-4-11-FT	20ft				143	11.9	9.1	8.8	6.8	5.5	3.8
LL-CS-RSS-25-4-11-FT	25ft				176	10.9	7.9	6.7	5.3	4.6	3.1
LL-CS-RSS-30-5-11-FT	30ft		5" dia.		M0.95"X 36"X4"	242	8.5	6.6	5.7	4.2	3.2

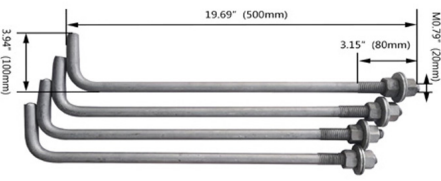
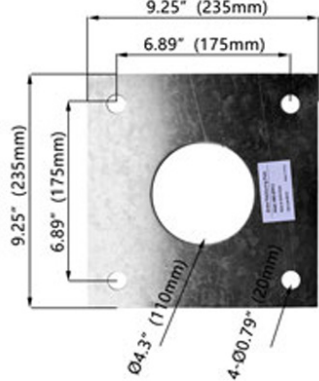




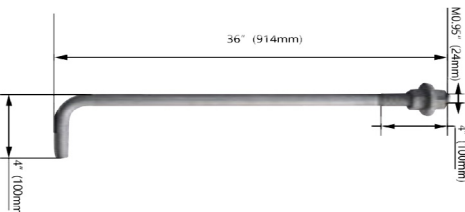
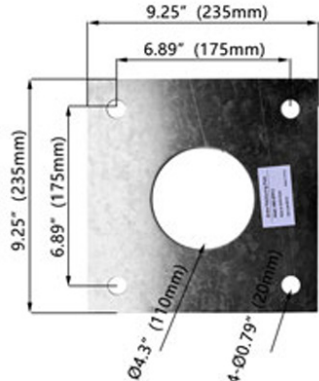
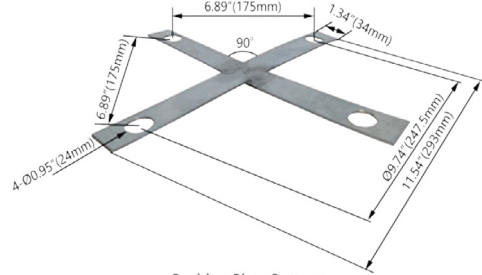
Included Accessories

3" Base Cover	4" Base Cover	5" Base Cover
		

10'-25' Included Accessories

Anchor Bolt Kit	Template
	

30' Included Accessories

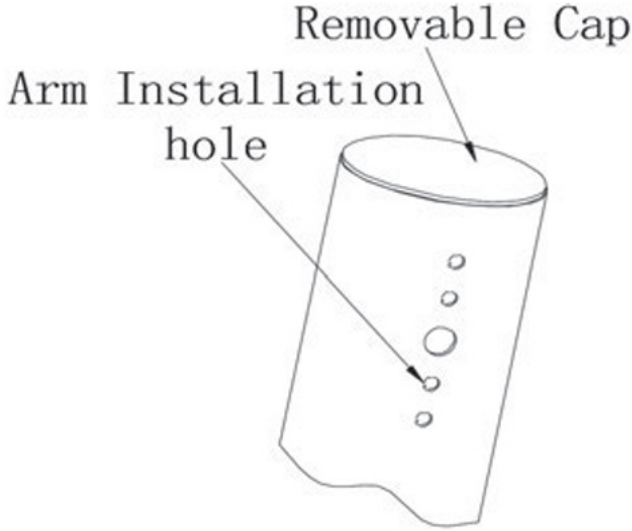
Anchor Bolt Kit	Template	Cross Screw Template
		 <p data-bbox="1201 1701 1364 1732">Position Plate Bottom</p>



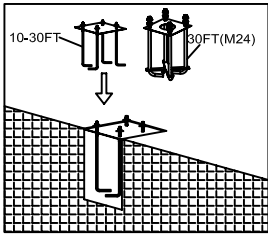
Features

Mounting: Standard length poles are predrilled (2@180°), with a polycarbonate top cover and hole plugs for unused predrilled locations.

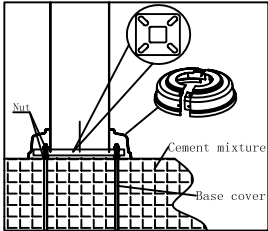
Side Mount: Typical access point



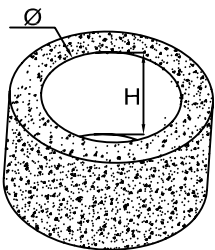
Installation



1. Dig a hole in the installation position of the lamp pole. Fixed four fastener fittings according to the position of lamp pole and poured with cement concrete. (as shown in the figure)

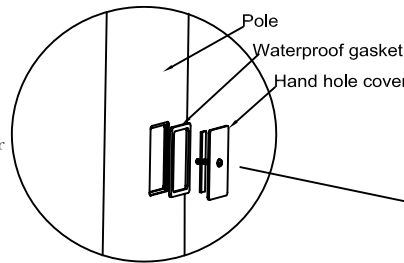


Foundation reference specification

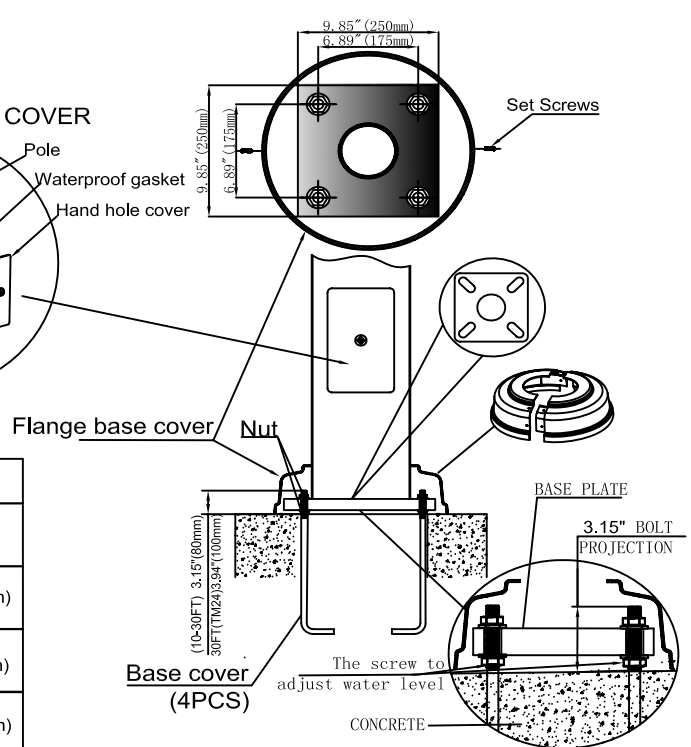


2. Install 4 screws onto the stick and adjust to same water level, then place the square plate and screw tightly. Install the cover at the bottom of pole. (as shown in the figure)

3"X5" HAND HOLE COVER



ANCHORAGE GUIDE



Reference design of Concrete size		
Specifications	Ø	H
10-15FT	31.5"(800mm)	59.1"(1500mm)
20-25FT	35.4"(900mm)	70.9"(1800mm)
30FT	35.4"(900mm)	82.7"(2100mm)

Foundation Design: We offer Foundation design references due to variations in soil structure across different areas, and we do not assume any responsibility for this variability.



Project Name	
Catalog #	
Job Type	
Prepared By	
Notes	

Ordering Guide

Part #	Description
LL-CS-RSS-10-3-11-FT-BZ	Contractor Select Round Straight Steel Pole, 10', 3" Shaft, 11 Gauge, Flat Top, Bronze, Base Cover, Anchor Bolts & Template
LL-CS-RSS-10-3-11-FT-BK	Contractor Select Round Straight Steel Pole, 10', 3" Shaft, 11 Gauge, Flat Top, Black, Base Cover, Anchor Bolts & Template
LL-CS-RSS-15-4-11-FT-BZ	Contractor Select Round Straight Steel Pole, 15', 4" Shaft, 11 Gauge, Flat Top, Bronze, Base Cover, Anchor Bolts & Template
LL-CS-RSS-20-4-11-FT-BZ	Contractor Select Round Straight Steel Pole, 20', 4" Shaft, 11 Gauge, Flat Top, Bronze, Base Cover, Anchor Bolts & Template
LL-CS-RSS-25-4-11-FT-BZ	Contractor Select Round Straight Steel Pole, 25', 4" Shaft, 11 Gauge, Flat Top, Bronze, Base Cover, Anchor Bolts & Template
LL-CS-RSS-15-4-11-FT-BK	Contractor Select Round Straight Steel Pole, 15', 4" Shaft, 11 Gauge, Flat Top, Black, Base Cover, Anchor Bolts & Template
LL-CS-RSS-20-4-11-FT-BK	Contractor Select Round Straight Steel Pole, 20', 4" Shaft, 11 Gauge, Flat Top, Black, Base Cover, Anchor Bolts & Template
LL-CS-RSS-25-4-11-FT-BK	Contractor Select Round Straight Steel Pole, 25', 4" Shaft, 11 Gauge, Flat Top, Black, Base Cover, Anchor Bolts & Template
LL-CS-RSS-30-5-11-FT-BZ	Contractor Select Round Straight Steel Pole, 30', 5" Shaft, 11 Gauge, Flat Top, Bronze, Base Cover, Anchor Bolts & Template
LL-CS-RSS-30-5-11-FT-BK	Contractor Select Round Straight Steel Pole, 30', 5" Shaft, 11 Gauge, Flat Top, Black, Base Cover, Anchor Bolts & Template