



Bulkhead Round Open Frame



Description

The Litelume Bulkhead Round Open Frame (LL-BROF) is designed to replace HID lighting systems up to 250w MH or HPS. The open door frame allows for maximum light output. Typical applications include office and public buildings, condominiums, schools, shopping malls, and hospitality. Recommended mounting heights are 8 to 20 feet.

Fixture Information

Size:	12W/17W/25W
Housing:	Die Cast Gasketed Aluminum Open Front Frame and Housing with Integral Heat Sinking and Driver Compartment.
Finish:	Textured Architectural Bronze Powdercoat Finish Over a Chromate Conversion Coating.
Lens:	SoftLED LumaLens UV-Stabilized Polycarbonate Opal Vandal-Resistant Lens Eliminates LED Hot Spots
CRI:	80
Temperature:	-40°C to +50°C
Voltage:	Standard: 120-277V
Power Factor:	>.90
Surge Protector:	2 kVA
Dimming:	Standard: 0-10V
Warranty:	10-Year Limited Warranty

Performance Data

Lumen Output:

1,586 to 3,763 lm

Lumens Per Watt (typical):

119 to 135 lm/W

CCT:

3000K

4000K

5000K

Lifespan:

187,000 hrs @ 25°C (L70)

Ratings & Certificates

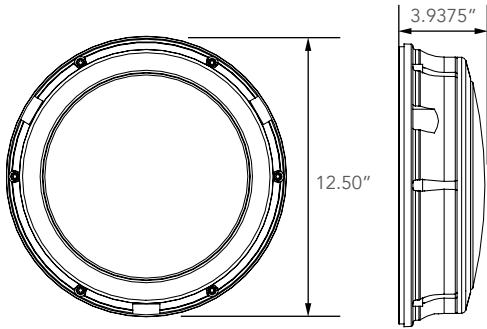
CSA: Listed for Wet Locations, ANSI/UL 1598, 8750; IP66 Sealed LED Compartment. ADA Compliant. 10 year Warranty. BAA Compliant



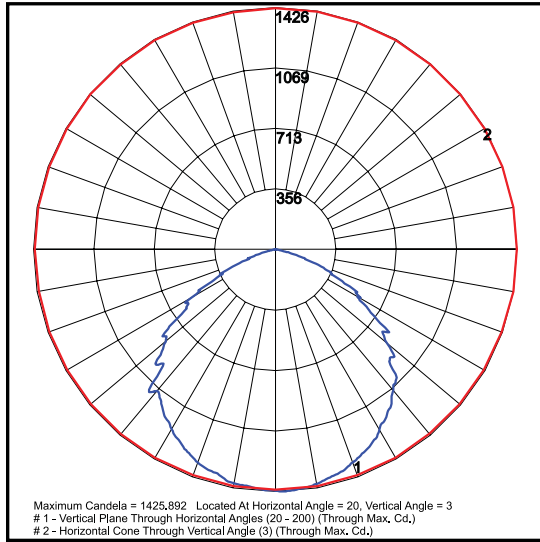


Dimension

Item	Height	Diameter
12W/17W/25W	3.9375"	12.50"



Photometric



LL-BROF-25-50-UNV



Project Name	
Catalog #	
Job Type	
Prepared By	
Notes	

Fixture Ordering Information

Part #	Wattage	Lumens	Kelvin	Voltage	Color
LL-BROF-12-30-UNV-WH	12	1586	3000	120-277V	White
LL-BROF-12-40-UNV-WH	12	1720	4000	120-277V	White
LL-BROF-12-50-UNV-WH	12	1792	5000	120-277V	White
LL-BROF-17-30-UNV-WH	17	2220	3000	120-277V	White
LL-BROF-17-40-UNV-WH	17	2408	4000	120-277V	White
LL-BROF-17-50-UNV-WH	17	2509	5000	120-277V	White
LL-BROF-25-30-UNV-WH	25	3330	3000	120-277V	White
LL-BROF-25-40-UNV-WH	25	3613	4000	120-277V	White
LL-BROF-25-50-UNV-WH	25	3763	5000	120-277V	White
LL-BROF-12-30-UNV-BZ	12	1586	3000	120-277V	Bronze
LL-BROF-12-40-UNV-BZ	12	1720	4000	120-277V	Bronze
LL-BROF-12-50-UNV-BZ	12	1792	5000	120-277V	Bronze
LL-BROF-17-30-UNV-BZ	17	2220	3000	120-277V	Bronze
LL-BROF-17-40-UNV-BZ	17	2408	4000	120-277V	Bronze
LL-BROF-17-50-UNV-BZ	17	2509	5000	120-277V	Bronze
LL-BROF-25-30-UNV-BZ	25	3330	3000	120-277V	Bronze
LL-BROF-25-40-UNV-BZ	25	3613	4000	120-277V	Bronze
LL-BROF-25-50-UNV-BZ	25	3763	5000	120-277V	Bronze

Accessories Ordering Information

Part #	Description
SF	Single Fuse *120-277V Only*
DF	Double Fuse *120-277V Only*
SP	Surge Protection 120-277V, 10KA
SP2	Surge Protection 120-277V, 20KA
SPH	Surge Protection 480V, 10KA
PC3	Photocell, 120-277V
P14	Pencil Photocell, 120-277V
S2	Microwave Sensor with Dimming for Mounting Heights of 8' to 40'. *120-277V Only*
S4	Microwave On/Off Motion Sensor for Mounting Heights of 8' to 19'. *120-277V Only*
BU	Battery Backup, 90 Minutes *120-277V Only*
BUC	Cold Start Battery Backup, 90 Minutes -20°C
SUB "UNV" WITH "480"	480 Volt *25W Only*

* Please contact LITELUME for all Custom Option Requests

* Please contact LITELUME for all Custom Option Requests