

# LED Linear Wall Wash Installation Instructions



## ⚠ Warning

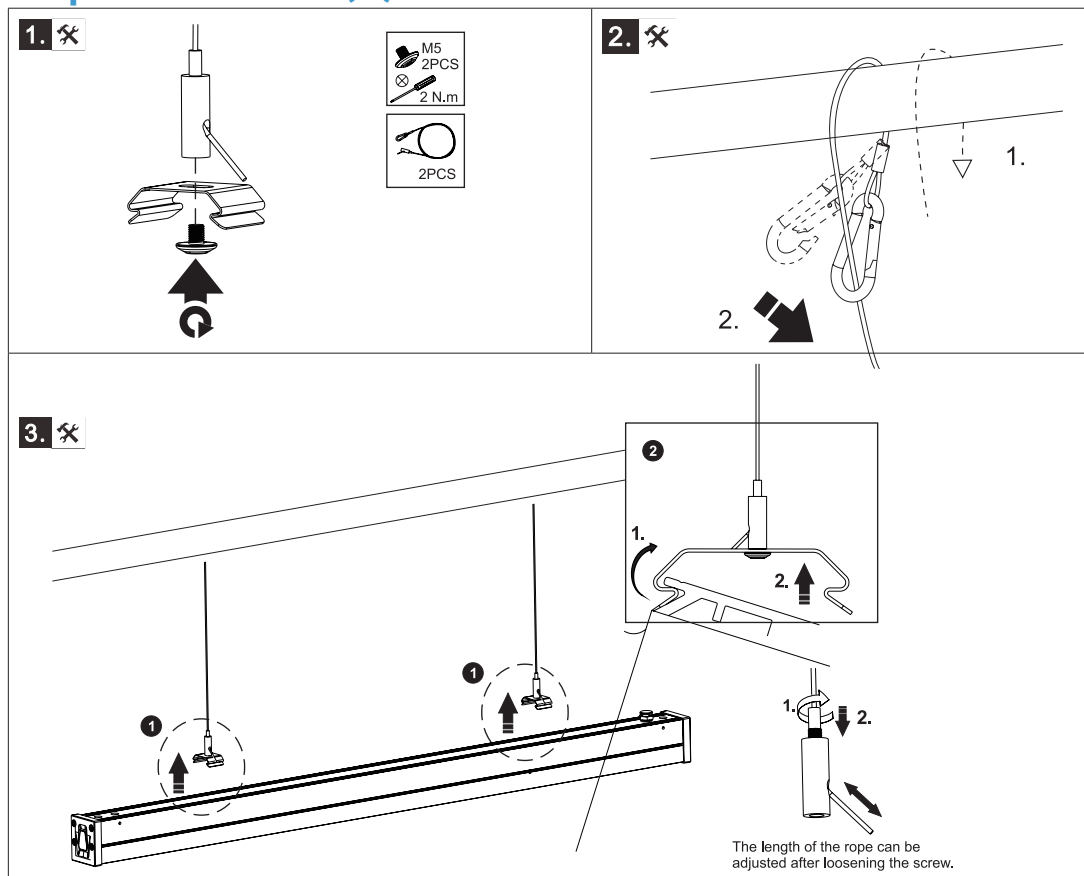
PLEASE READ ALL INSTRUCTIONS BEFORE ATTEMPTING INSTALLATION

1. Please do not modify or dismantle the luminaire or replace accessories without confirming with the supplier first.
2. Please authorize only qualified personnel to install the lamp and ensure they follow the instruction manual. Any improper installation might cause falling, electric shock, fire, or other injury, damage or hazard.
3. Please disconnect power before installation or any maintenance of the lamp. Do not touch the power supply when the lamp is operating.
4. If the luminaire begins to smoke or emit odors, please disconnect power since fire or electric shock may occur. And ask qualified person to inspect and maintain the luminaire.
5. If the external flexible cable or cord of the luminaire is damaged, it shall be exclusively replaced by the manufacturer, service agent or a similar qualified person.
6. The light source contained in this luminaire shall only be replaced by the manufacturer, service agent or a similar qualified person.
7. We suggest you adding a separate surge protection device in distribution box to extend luminaire lifespan.

## Warning

1. The product is designed for facades appearance, square, plaza, business street, park, advertising board, bridge and similar applications. For other special applications, please consult your salespe
2. Too much dust or oil accumulation on PC lens will stop the lighting emit and heat dissipation, it will change lighting distribution, and cause high heat inside to affect LED chips performance. For such environments, we suggest you to clean the luminaire regularly to ensure longer lifespan. Or you need to use product with glass cover and better heat performance instead.

## Suspension Mount (A)



# LED Linear Wall Wash Installation Instructions



## Bracket Mount (L Shaped)

**1.**

M6  
2PCS

2.5 N.m

It can be adjusted arbitrarily by loosening the screw.

2 N.m

**2.**

A/B

Suggested installation distance:

18W(A)	200~300mm
36W(B)	350~800mm

**3.**

M10  
2PCS

**4.**

M10  
2PCS

17 N.m

180°

**LITELUME™**  
©Lite Lume Corporation 2018

www.litelume.com  
info@litelume.com  
833.LED.LUME

Page 2/6  
Rev Date: 02/16/2023

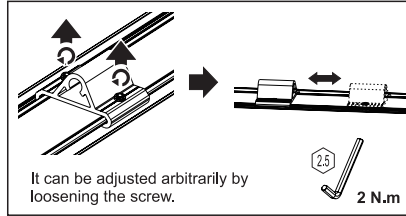
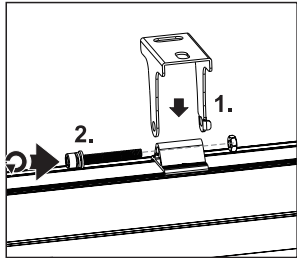
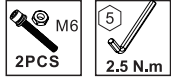
LITELUME™ seeks to deliver the most advanced and efficient LED technology. Due to technology progression, specifications may change. We reserve the right to update product specifications without notice. Contact LITELUME™ for the most up-to-date data.

# LED Linear Wall Wash Installation Instructions

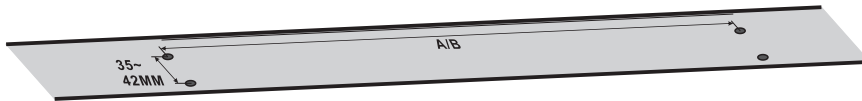


## Bracket Mount (U shaped)

1. ✖

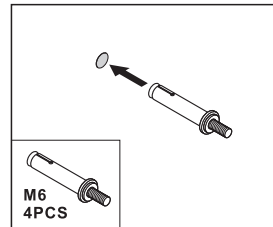


2. ✖

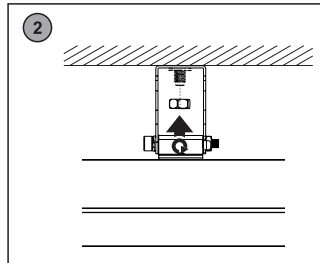
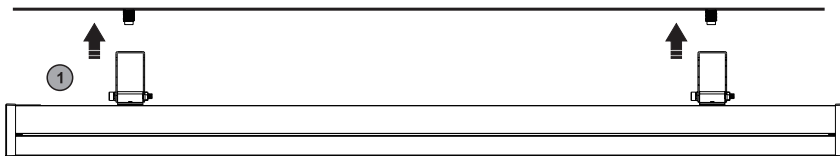


Suggested installation distance:

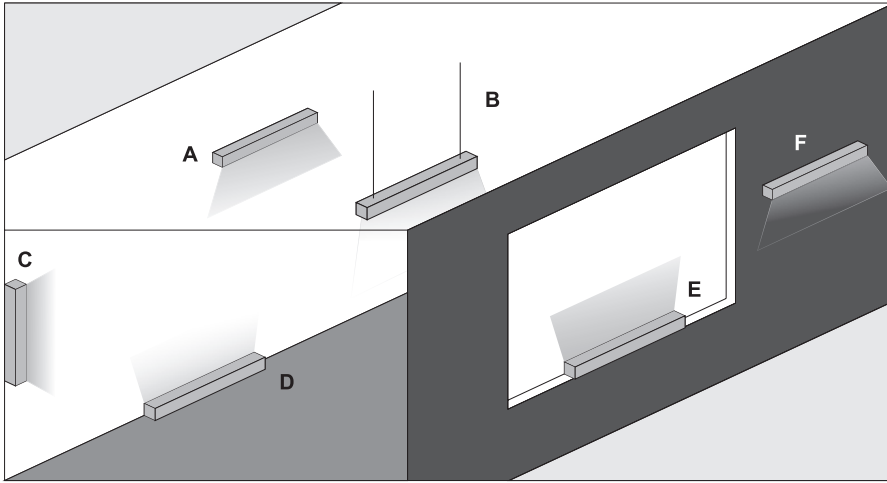
18W(A)	200~300mm
36W(B)	350~800mm



3. ✖



# LED Linear Wall Wash Installation Instructions



**A: Ceiling Installation**

**C: Corner Installation**

**E: Windowsill Installation**

**B: Hanging Rope Installation**

**D: Floor Installation**

**F: Wall Installation**

## Suspension Mount (B)

**1.** ✂

1PC

M5  
1PC

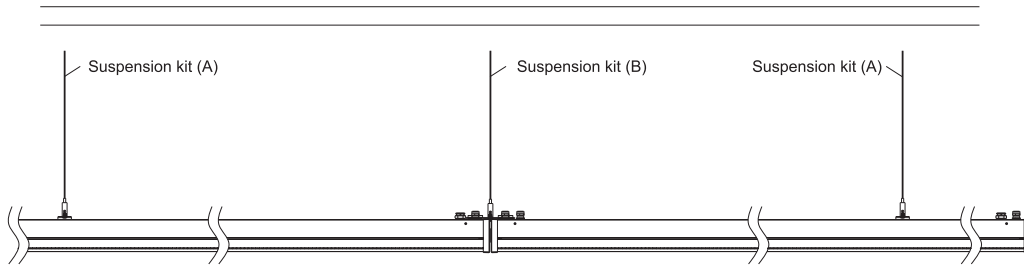
2 N.m

**2.** ✂

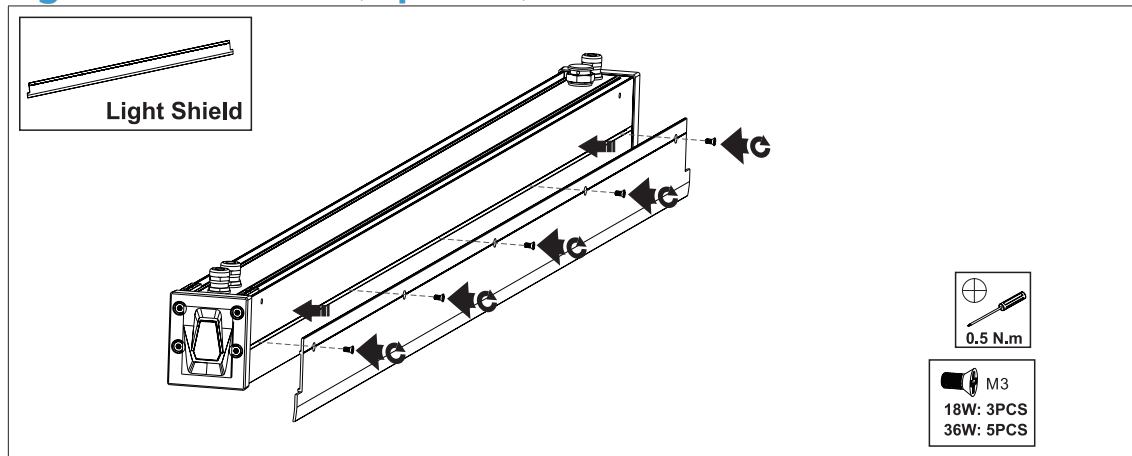
1.2 N.m

M4  
8PCS

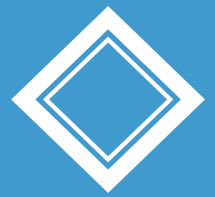
# LED Linear Wall Wash Installation Instructions



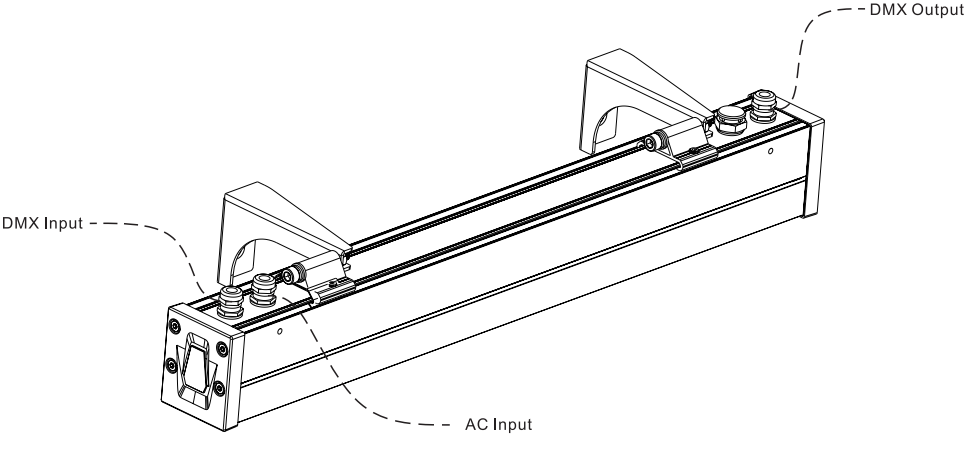
## Light Shield Mount (Optional)



# LED Linear Wall Wash Installation Instructions



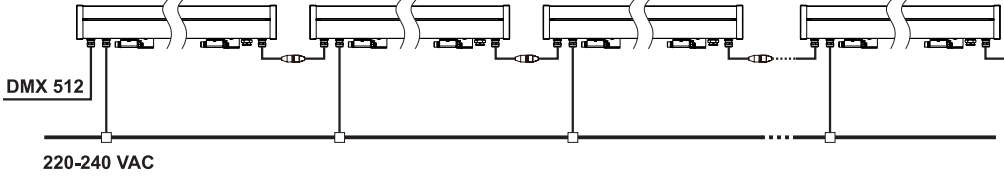
## Wiring



DMX Input      DMX Output

AC Input

---

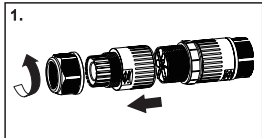


DMX 512

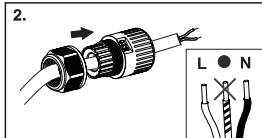
220-240 VAC

Please connect a signal amplifier every 100 meters or every 32 lights.

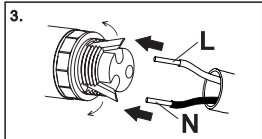
1.



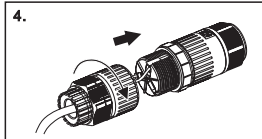
2.



3.



4.



**Spliceable Quantity:**

	36W	18W
RGBW	21PCS	42PCS
RGB	28PCS	56PCS
Monocolour	85PCS	170PCS

DMX + red

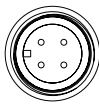
DMX - black

GND yellow


PI/PO white

DMX

DMX in



DMX out




L brown

N blue

GND yellow/green

AC



**Warning! Do not wire dim cord to high voltage, or dim function will fail.**