



Line Voltage Passive Infrared Outdoor Sensor



Description

The BRI823-X-D outdoor sensor provides multi-level control based on motion and/or daylight. It controls 0-10VDC drivers or dimming ballasts, as well as non-dimming ballasts. The BRI823-X-D outdoor sensor is rated for wet and cold locations with a Fresnel Lens. All control parameters are adjustable via a wireless remote including scene and scenarios.

Specifications

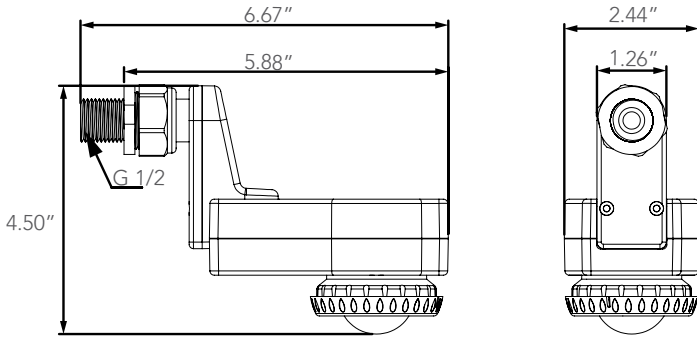
Power Supply:	120~277VAC, 50Hz/60Hz
Maximum Load:	Resistive/Halogen - 800W@120V / 1200W@277V Fluorescent Ballast - 660W@120V / 1200W@277V Electronic Ballast (LED/CFL) - 5A@120V / 5A@277V
Detect Area:	360°, maximum coverage 60' diameter from 40' height
High Mode:	0-10V; default 10V
Low Mode:	Off, 0-9.8V; default 1V
Operating Temperature:	-40°C~70°C
Operating Humidity:	20-90%
Rating:	IP66 for PIR LEN (top part of the sensor)

Warning

- Note:** Warm up time is 40 seconds after the sensor connects input power initially, the light will power on for 40 seconds, then go to 30% dimming level for 60 minutes.
- Note:** Factory Default Setting: 100% sensitivity, Hold on Time: 10 seconds, Daylight sensor is 30lux, Dimming level: 30%, Dimming time: 60 minutes.
- Note:** Any time settings are changed by DIP switch or remote control, the LED light will flash on/off to confirm.

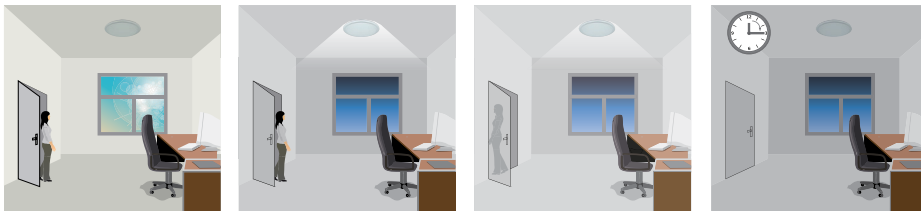


Dimensions



Function and Options

3 levels of the light control: 100%--dimming light (0%, 10%, 30%, 50%) --off, 2 selectable delayed wait time: motion hold stand-by time, Selectable daylight threshold



With sufficient natural light, the light does not switch on when presence is detected. With insufficient natural light, the sensor switches on the light automatically when presence is detected. After hold-time, the light dims to stand-by level if the surrounding natural light is below the daylight threshold. Light switches off automatically after the stand-by period elapses

Daylight Sensor Function

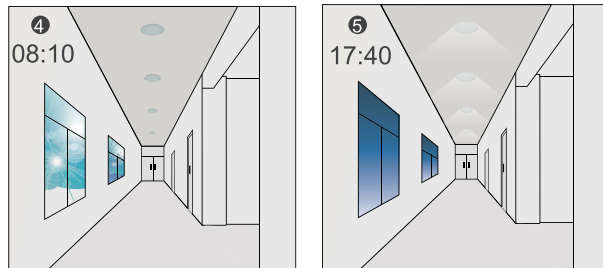
Open the smart photocell sensor by pushing when the remote control is in setting mode.



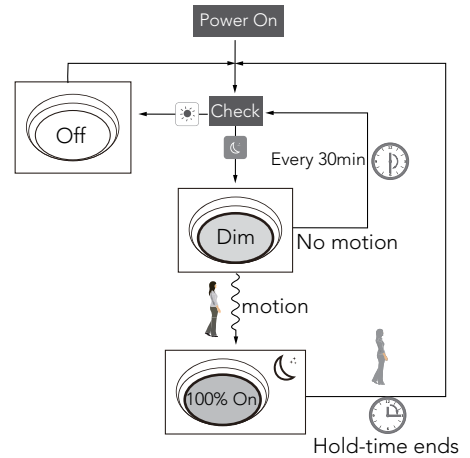
The light switches on at 100% when there is movement detected. The light dims to stand-by levels after the hold time. The light remains in dimming level at night.

Settings on this demonstration:
Hold-time: 30mins
Setpoint On: 50lux
Setpoint Off: 300lux
Stand-by Dim: 10%
Stany-by period: +∞
(When the smart photocell sensor open, the stand-by time is only +∞)

1 ↔ **3** goes in cycle at night ...
100% on when movement detected, and dims to 10% in long absence.



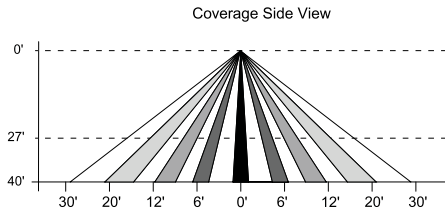
When natural light levels exceed setpoint off to light, the light will turn off even if the space is occupied. The light automatically turns on at 10% when natural light is insufficient (no motion)



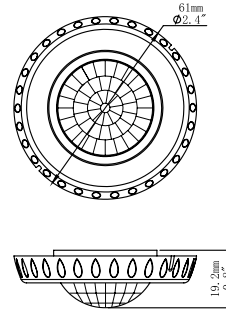
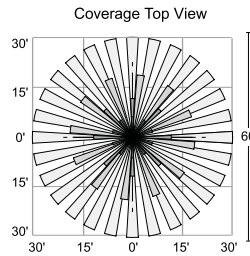


Coverage Pattern

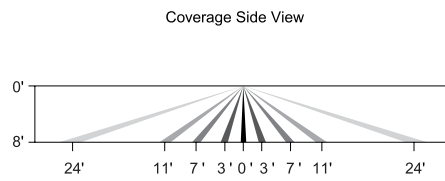
L3



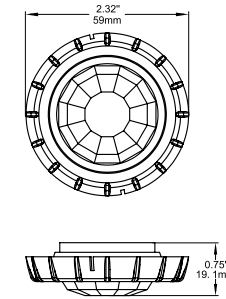
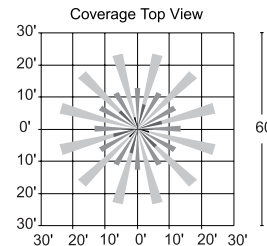
360° Coverage



L4



360° Coverage



RC-100 Configuration

Button	Description	Button	Description
	Press the ON/OFF button, the light goes to permanent on or permanent off mode, and the sensor is disabled. (MUST press AUTO button to quit this mode for setting)		Press AUTO button, the sensor starts to function and all settings remain the same as the latest status before the light is switched on/off.
	Display the current/latest setting parameters in LED indicators (the LED indicators will on for showing the setting parameters).		The TEST button is for testing purpose sensitivity only, after you choose sensitivity thresholds, then you press TEST button. The sensor goes to test mode (hold time is only 2 sec) automatically, meanwhile the stand-by period and daylight sensor are disabled. Press AUTO button to quit from this mode.
	Press RESET button, all settings go back to settings of dip Switch in sensor		Navigate to LEFT and RIGHT for choose selected parameters in LED indicators.



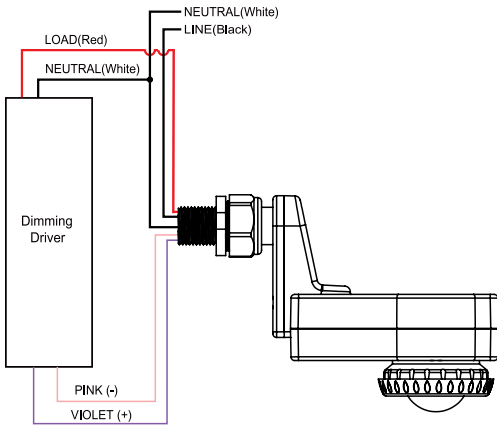
Project Name	
Catalog #	
Job Type	
Prepared By	
Notes	

	Confirm the selected parameters selected parameters in remote control.		Open and close smart daylight Sensor Press ▲ or ▼ Enter in the setting condition, the parameter LEDs of remote control will flash to be selected, Press Ⓜ for the open or close smart daylight sensor.
	Press button, upload the current parameters to sensor(s), the LED light which the sensor connects will ON/OFF as confirm.		
 	4 Scene modes with preset parameters which are available to be changed and saved in modes.		

Parameter setting by Remote Control in Manual of RC-100

Wiring Diagram

Wiring with dimming ballast or LED driver



Ordering Information

Part #	Description
BRI823-X-D-BR	Sharkward 0-10V PIR Sensor Bronze
BRI823-X-D-WH	Sharkward 0-10V PIR Sensor White