

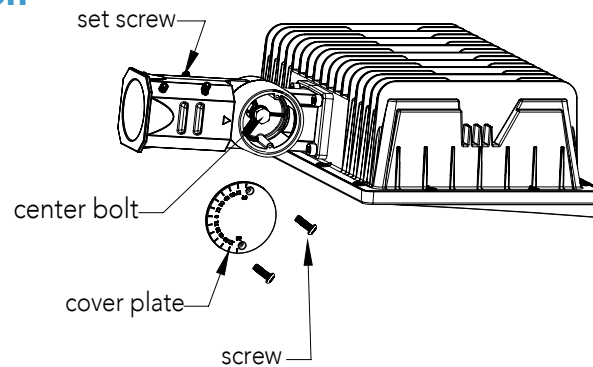
Flood Light Medium Installation Instructions



⚠ Warning

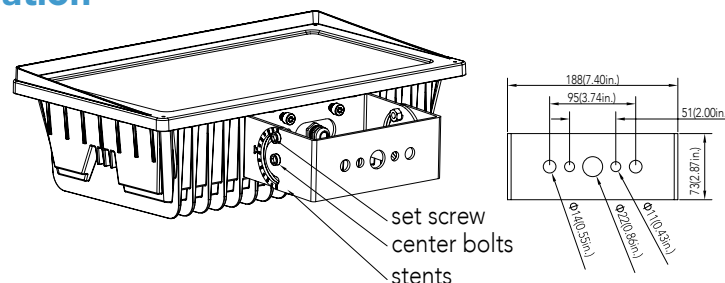
1. To avoid electric shock, disconnect power at source prior to installation.
2. The installation should be performed by qualified electricians or lighting technicians.
3. This product must be installed in accordance with the national electric code (NEC) and all applicable federal, state and local electric codes and safety standards.
4. Disconnect product and allow cooling prior to servicing.
5. Any alteration or modification of this product is expressly forbidden as it may cause serious personal injury, death, property damage and/or product malfunction.
6. To prevent product malfunction and/or electrical shock this product must be properly grounded.
7. Suitable for operation in ambient temperatures ranging from -40°C to 45°C .
8. This product must be installed in accordance with the applicable installation code by a person familiar with the construction and operation of the product and the hazards involved.

Slipfitter Mount Installation



1. Remove cover plate screws and cover plate.
2. Loosen center bolt, rotate fixture to the desired angle, and tighten center bolt.
3. Replace cover plate and tighten cover plate.
4. Make wiring connections per wiring diagram and place connections down into pole or mounting bracket.
5. Loosen set screws and slide the slipfitter onto pole or mounting bracket.
6. Position fixture into the desired direction; and tighten set screws.
7. Tighten lock nuts.

Trunnion Mount Installation



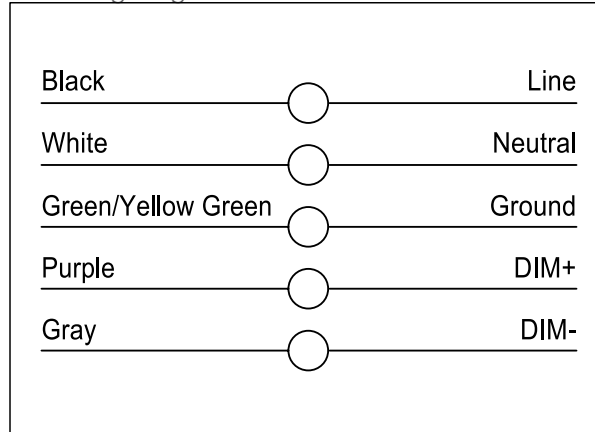
1. Mount fixture to surface using the hole pattern provided on the trunnion bracket.
2. Loosen center bolts and set screw.
3. Rotate fixture to desired aiming position and tighten center bolts.
4. Tighten set screw.
5. Refer to wiring diagrams for power connection.

Flood Light Medium Installation Instructions



Wiring Diagram

For 0-10V Dimming Version, please refer to wiring diagram below.



Troubleshooting

1. Check that the line voltage at the fixture is correct. Refer to wiring diagram above.
2. Is the fixture grounded properly?
3. Be sure the photocell, if used, is functioning properly.