

High Bay Round Installation Instructions

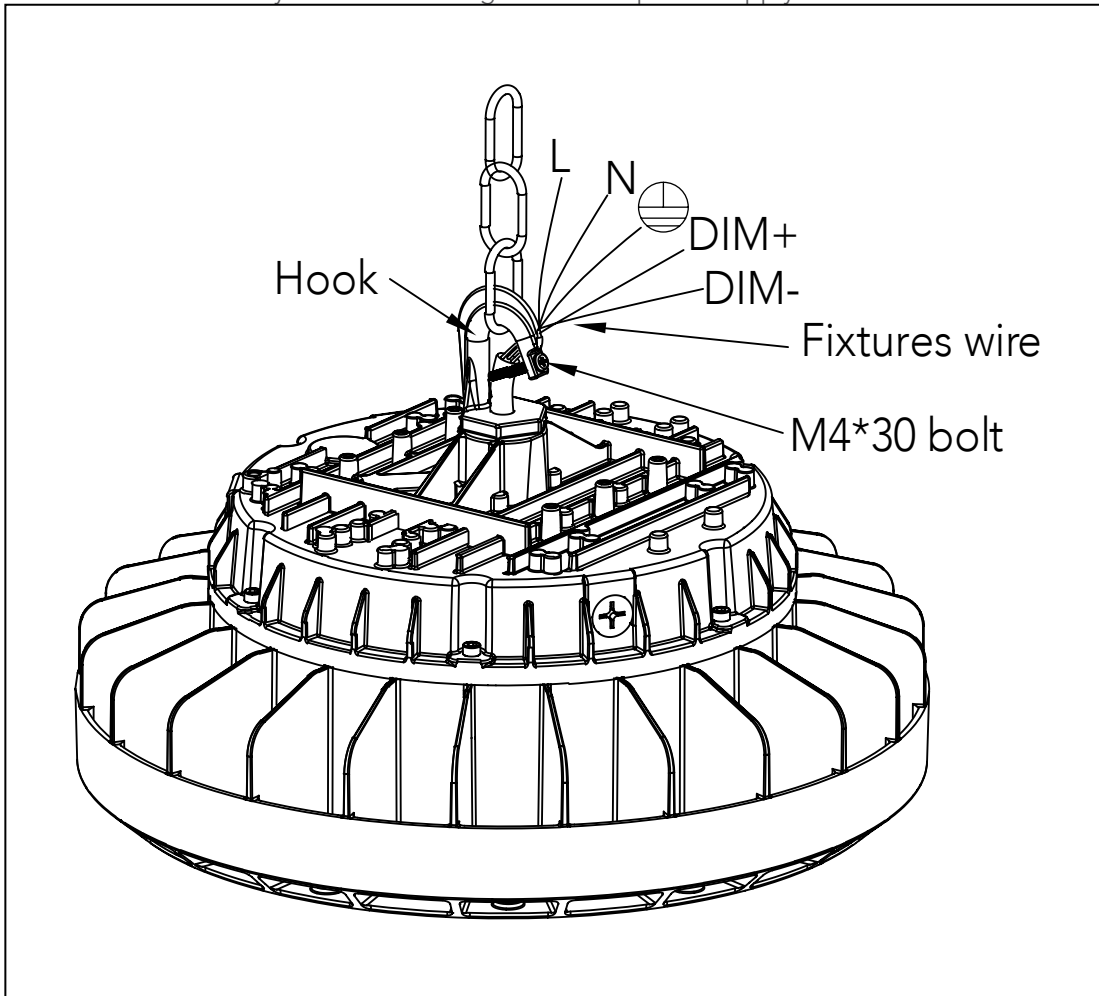


Warning

1. To avoid electric shock, disconnect power at source prior to installation.
2. The installation should be performed by qualified electricians or lighting technicians.
3. Before conducting any installation, maintenance, or removal, disable all power to the luminaries and wait until the fixture cool down.
4. Do not touch the fixture while it is in service.
5. If there is any problem with the fixture, DO turn off power and DO NOT attempt repair unless you are a qualified technician or the customer service member.

Hook Mount with Chain Installation

1. Insert M4*30 bolt into hook of highbay,
2. Hang highbay hook directly into the ceiling loop.
3. Tighten all of M4 bolt so that highbay shall not fall off. Up to now, installation is done.
4. Wire Live and Neutral cable respectively. Watch out for wire joint point and screw them well in case of electric leakage.
5. Waterproof measurement are necessary when connecting to external power supply cord.

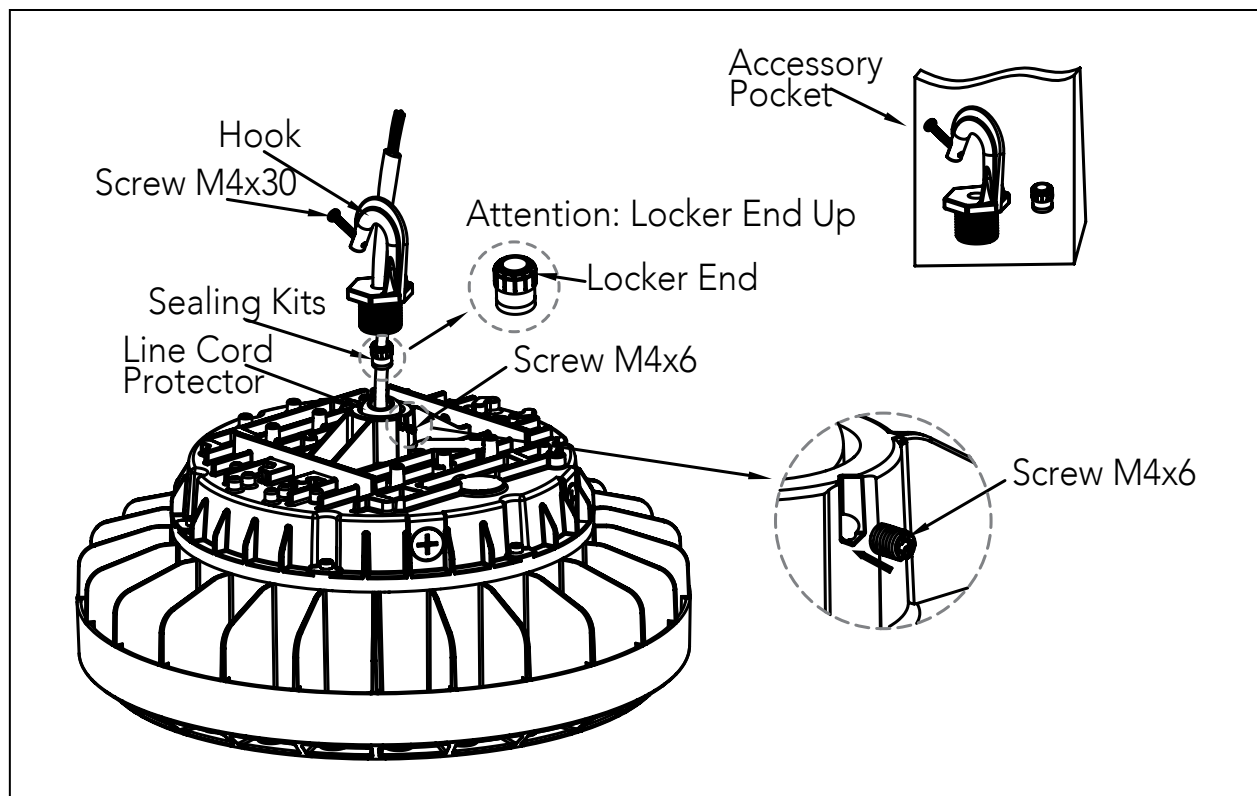


High Bay Round Installation Instructions



Hook Mount with Cord Installation

1. Remove Line Cord Protector first after you get the high bay light.
2. Take out the hook and sealing kits from accessory pocket. Wire sealing kits through the line cord first, and then the hook. Please note, while wiring through the sealing kits, on which the locker end must face the hook to achieve waterproof performance.
3. Screw the hook into 3/4" hole on high bay light, during which, the locker end on sealing kits wrap the line cord tightly, thus sealing effect is achieved. Attention: DO NOT SCREW THE HOOK TOO HARD.
4. After hook screwed in, tighten screw M4x6, which is already in high bay light. It helps keep the hook from loosening and falling.
5. Hook installation is done. Attention: sealing kits must be installed well. No installing or inadequate installing would lead to water leaking in.

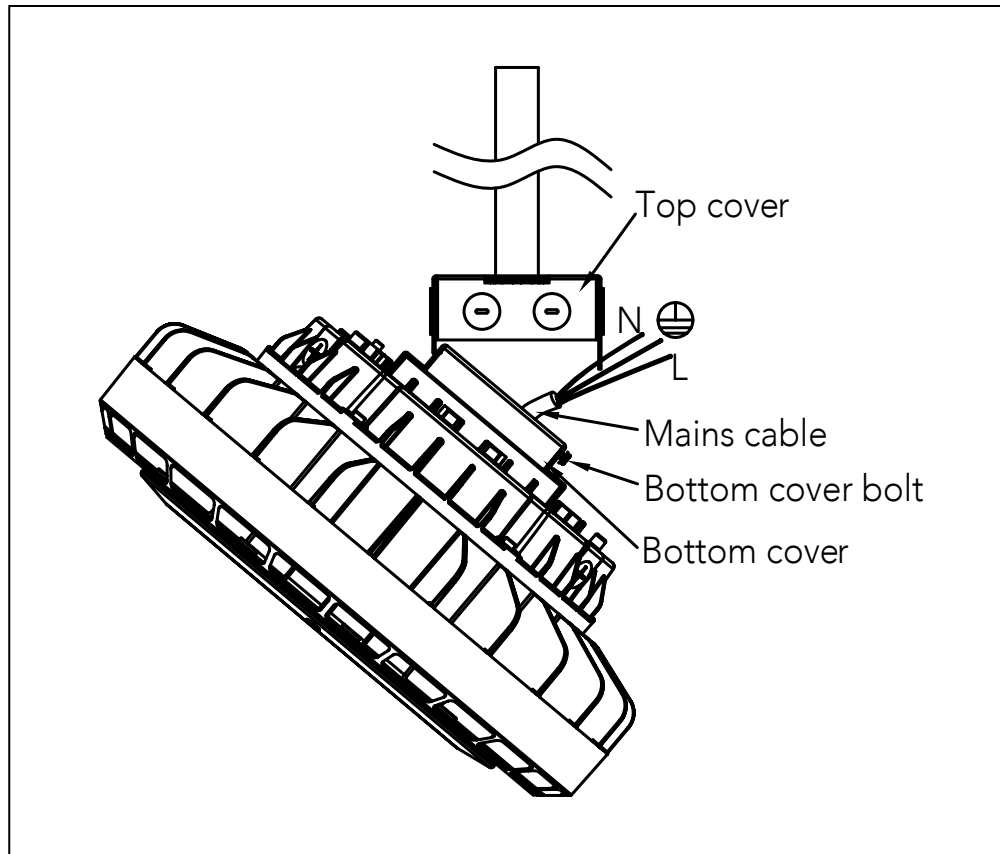


High Bay Round Installation Instructions



J-Box Installation

1. Fix bottom cover of J-box onto fixture and top cover onto ceiling. Pull cable out of pole from J-box top cover.
2. Hang fixture with bottom cover onto hook of top cover in J-box.
3. Wire Live and Neutral cable respectively. Watch out for wire joint point and screw them well in case of electric leakage.
4. Up hold the fixture until screws of bottom cover touches slot of top cover. Slide right the fixture to the bottom, then fix screws.
5. Waterproof measurement are necessary when connecting to external power supply cord.



Wiring Diagram

