

Flood Light 15/27W Installation Instructions

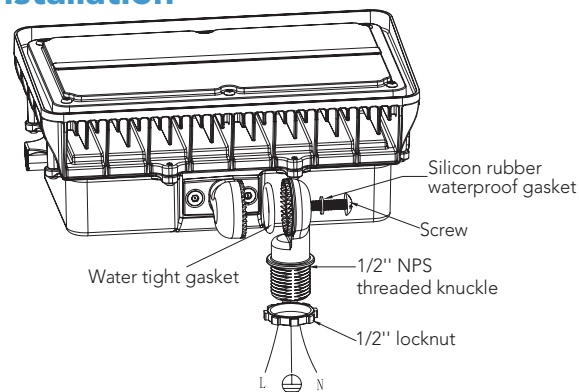


Warning

PLEASE READ ALL INSTRUCTIONS BEFORE ATTEMPTING INSTALLATION

1. To prevent personal injury or product damage only licensed electricians should install.
2. To avoid electric shock or component damage disconnect power before attempting installation or servicing.
3. This product must be installed in accordance with the national electric code (NEC) and all applicable federal, state and local electric codes and safety standards.
4. Disconnect product and allow cooling prior to servicing.
5. Any alteration or modification of this product is expressly forbidden as it may cause serious personal injury, death, property damage and/or product malfunction.
6. To prevent product malfunction and/or electrical shock this product must be properly grounded.
7. LIMIT RANGE OF ADJUSTMENT TO.
8. Suitable for operation in ambient temperatures ranging from -40°C to 45°C .
9. This product must be installed in accordance with the applicable installation code by a person familiar with the construction and operation of the product and the hazards involved.
10. In 75°C supply conductors.
11. Suitable for mounting within 1.2 m (4 ft) of the ground
12. This product is not available for several special environments, such as places with corrosive gas liquids or high pressure water vapor.
13. Disconnect product and allow cooling prior to servicing.
14. Any alteration or modification of this product is expressly forbidden as it may cause serious personal injury, death, property damage and/or product malfunction.
15. To prevent product malfunction and/or electrical shock this product must be properly grounded.
16. Suitable for operation in ambient temperatures ranging from -40°C to 45°C .
17. This product must be installed in accordance with the applicable installation code by a person familiar with the construction and operation of the product and the hazards involved.

1/2" NPS Knuckle Mount Installation

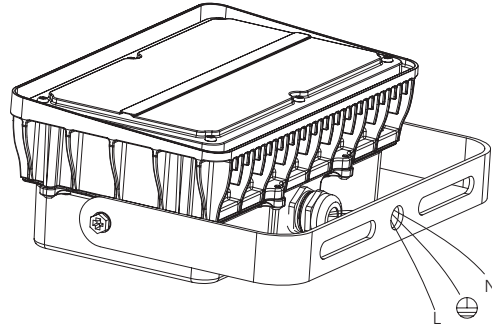


1. Thread knuckle into the 1/2" NPS hole and secure it with 1/2" locknut
2. Make electrical connections from the supply ground (L/N) lead to fixture ground (L/N) lead respectively, making sure to follow all National Electrical Code and all applicable local codes and ordinances.
3. Aim fixture by loosening screw on knuckle of fitter and rotating fixture to desired tilt angle. Re-tighten screw.
4. While making electrical connections, ensuring water does not enter fixture through 1/2" fitter.
5. Installation and service of luminaires should be performed by a qualified licensed electrician.

Flood Light 15/27W Installation Instructions



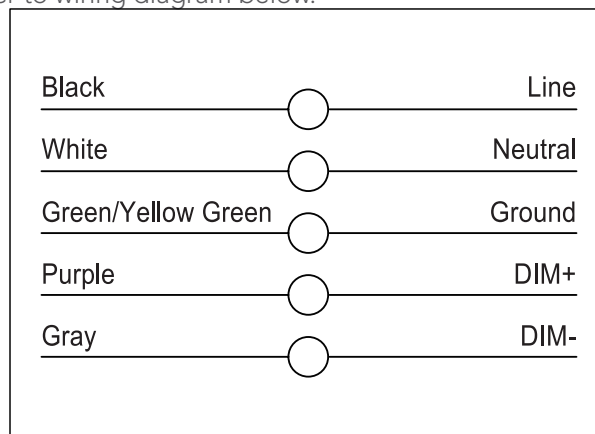
Trunnion Mount Installation



1. Mount fixture onto surface using the hole pattern provided on the trunnion bracket.
2. Make electrical connections from the supply ground (L/N) lead to fixture ground (L/N) lead respectively, making sure to follow all National Electrical Code and all applicable local codes and ordinances
3. Aim fixture by loosening screw on knuckle of fitter and rotating fixture to desired tilt angle. Re-tighten screw.
4. While making electrical connections, ensuring water does not enter fixture through 1/2" fitter.
5. Installation and service of luminaires should be performed by a qualified licensed electrician.

Wiring Diagram

For 0-10V Dimming Version, please refer to wiring diagram below.



Troubleshooting

1. Check that the line voltage at the fixture is correct. Refer to wiring diagram above.
2. Is the fixture grounded properly?
3. Be sure the photocell, if used, is functioning properly.