



8" Commercial LED Architectural Recessed Can Trim & Frame In Kit



Description

The LITELUME™ 8" Commercial Led Architectural Recessed Can Trim & Frame In Kit (RCTF-8) features a self-flanged deep cone aluminum reflector with frosted lens for precision light. Junction box is mounted on the frame for easy wiring, driver access and installation. Die cast aluminum heat sink for thermal management.

Fixture Information

Size:	40W/50W
Frame:	Galvanized steel
Trim:	Tapered Aluminum
Optics:	3 step LED binning process. Self-flanged deep cone frosted lens. Semi-Specular finish.
CRI:	80
Power Factor:	.95
Dimming:	0-10V, 10%
Voltage:	120-277V
Operating Temperature:	-22° F to 104° F
Mounting:	Standard: C Channel. Optional: Flat bar hangers available for ceiling grid mounting (order separately).
Warranty:	7-Year Limited Warranty

Performance Data

Lumen Output:

3,090 to 4,530 lm

CCT:

4000K

Lifespan:

Features high performance LED's with up to 70,000 running hours

Ratings & Certificates

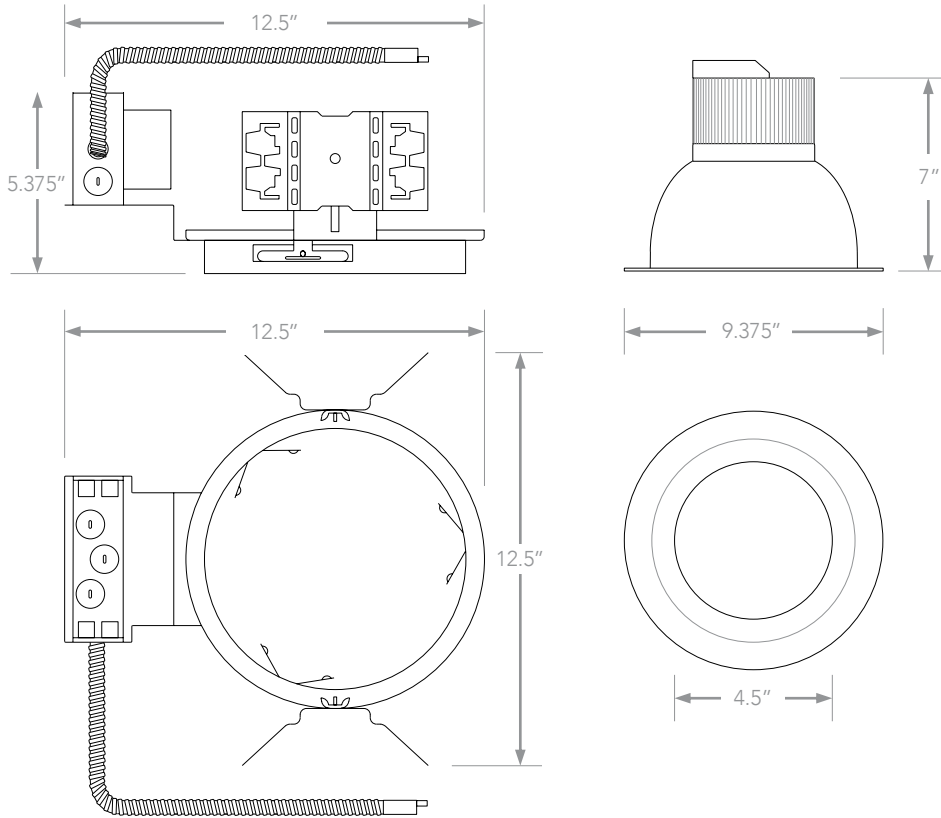
cULus listed for damp and wet locations
Complies with RoHS (Restriction on Hazardous Substances) requirement
Title 24 Compliant





Dimension

Item	Height	Width
40W/50W	7"	9.375"



Flat Bar Hanger 27" For Architectural Cans





Project Name	
Catalog #	
Job Type	
Prepared By	
Notes	

Fixture Ordering Information

Part #	Wattage	Lumens	Kelvin	Voltage
LL-RCTF-8-52-40-UNV-DM	52	4530	4000K	120-277V
LL-RCTF-8-40-40-UNV-DM	40	3090	4000K	120-277V

Accessories Ordering Information

Part #	Description
LL-ZZ-BARHANGER-ARCHCAN-FLAT27"	Flat Bar Hanger 27" For Architectural Cans

* Please contact LITELUME for all Custom Option Requests