



Ceiling Lite Air



Description

The LITELUME™ Ceiling Lite Air (LL-CLA) luminaire incorporates a unique cool look for a fresh design. Features a die-formed cold rolled steel housing with an inner and outer shade, high transmission acrylic lens front panel for uniformity. Offering 2 different sizes and wattages. Available in 3000k, high power factor and low THD.

Applications: commercial, residential, hospitality and entertainment.

Fixture Information

Size:	24W/35W
Housing:	Die-formed cold rolled steel
Mounting:	Standard: Ceiling Mount, Pendant Mount
Inner Shade:	Semi Clear White Decorative Fibre Linen
Outer Shade:	Semi Clear White Decorative Fibre Linen
Lens:	High Transmission Acrylic Front Panel
CRI:	80
Power Factor:	.90
Voltage:	Standard: 120-277V
Warranty:	10-Year Limited Warranty

Performance Data

Lumen Output:

1700 to 2480 lm

Lumens Per Watt (typical):

70 lm/W

CCT:

3000K

Ratings & Certificates

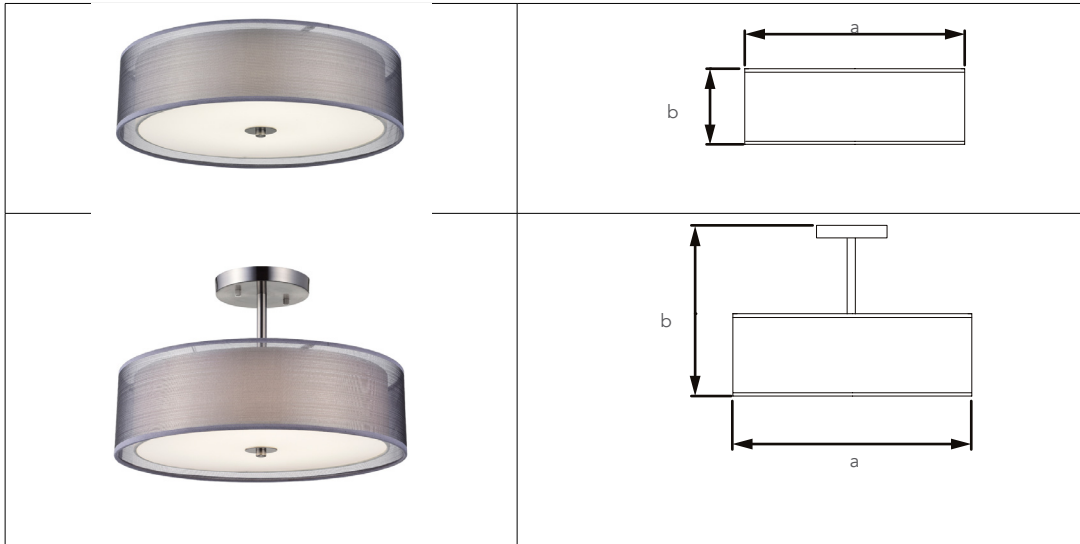
ETL/cETL Listed
Damp Location Listed





Dimension

Item	Diameter (a)	Height (b)
24W	17.5"	5.5"
24W (Pendant)	17.5"	12.5"
35W	20.8"	6.1"
35W (Pendant)	20.8"	13.1"





Project Name	
Catalog #	
Job Type	
Prepared By	
Notes	

Fixture Ordering Information

Part #	Wattage	Lumens	Kelvin	Voltage
LL-CLA-24-30-UNV	24	1700	3000	120-277
LL-CLA-35-30-UNV	35	2480	3000	120-277

Pendant Mount

Part #	Wattage	Lumens	Kelvin	Voltage
LL-CLA-PM-24-30-UNV	24	1700	3000	120-277
LL-CLA-PM-35-30-UNV	35	2480	3000	120-277