



Architectural Enclosed Post Top Small



Description

The Architectural Enclosed Post Top Small (LL-AEPTS) is available in a Type V distribution with two lens options designed to replace HID lighting systems up to 250w MH or HPS. The fixture mounts to a pole top tenon. Typical area lighting applications include parking areas, walkways, and street lighting applications. Mounting heights of 12 to 20 feet can be used based on light level and uniformity requirements.

Fixture Information

Size:	37W/65W/84W
Housing:	Die-cast Aluminum Housing
Finish:	Protective powdercoat
Color:	Standard: Bronze (BZ) Black (BK) Custom Options Available
Mounting:	"P3" 2-7/8 O.D. x 3" Tenons
Lens:	Standard: Prismatic Clear UV-Stabilized Polycarbonate Optional: SoftLED LumaLens Opal UV-Stabilized Polycarbonate Vandal-Resistant Outer Conical Lens
CRI:	80
Temperature:	-40°C to +50°C
Voltage:	Standard: 120-277V Custom Option: 347-480V
Power Factor:	>.90
Surge Protector:	6 kVA
Sensor:	Standard: No Sensor Custom: Microwave Sensor Twist Lock Photocell and Receptacle (120-277V) and Photocell (120-277V)
Warranty:	10-Year Limited Warranty

Performance Data

Lumen Output:

2,856 to 6,921 lm

Lumens Per Watt (typical):

63 to 81 lm/W

CCT:

3000K
4000K
5000K

Distribution

Type V

Lifespan:

473,000 hrs @ 25°C

Ratings & Certificates

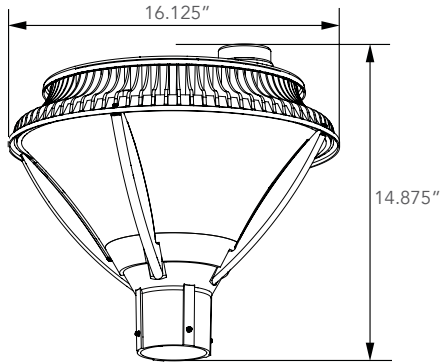
CSA: Listed for Wet Locations, ANSI/UL 1598, 8750;
IP66 Sealed LED Compartment. ADA Compliant.
10 year Warranty. BAA Compliant



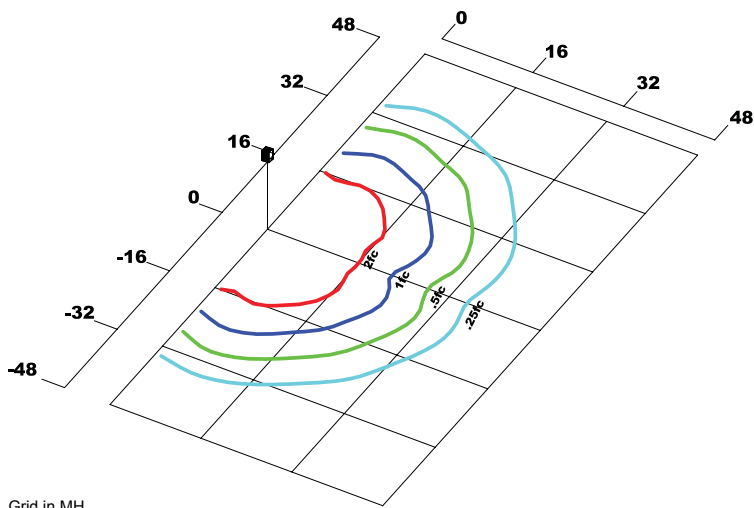


Dimension

Item	Diameter	Height	Weight
37W/65W/84W	16.125"	14.875"	14 lb



Photometrics



Grid in MH
MH=16 Feet



Project Name	
Catalog #	
Job Type	
Prepared By	
Notes	

Fixture Ordering Information

Part #	Wattage	Lumens	Kelvin	Voltage	Type Distribution	Color
LL-AEPTS-37-50-UNV-BZ	37	3602	5000	120-277	Type V	Bronze
LL-AEPTS-37-40-UNV-BZ	37	2987	4000	120-277	Type V	Bronze
LL-AEPTS-37-30-UNV-BZ	37	2856	3000	120-277	Type V	Bronze
LL-AEPTS-65-50-UNV-BZ	65	5265	5000	120-277	Type V	Bronze
LL-AEPTS-65-40-UNV-BZ	65	5135	4000	120-277	Type V	Bronze
LL-AEPTS-84-50-UNV-BZ	84	6951	5000	120-277	Type V	Bronze
LL-AEPTS-84-40-UNV-BZ	84	6781	4000	120-277	Type V	Bronze
LL-AEPTS-84-30-UNV-BZ	84	6483	3000	120-277	Type V	Bronze
LL-AEPTS-37-50-UNV-BK	37	3602	5000	120-277	Type V	Black
LL-AEPTS-37-40-UNV-BK	37	2987	4000	120-277	Type V	Black
LL-AEPTS-37-30-UNV-BK	37	2856	3000	120-277	Type V	Black
LL-AEPTS-65-50-UNV-BK	65	5265	5000	120-277	Type V	Black
LL-AEPTS-65-40-UNV-BK	65	5135	4000	120-277	Type V	Black
LL-AEPTS-84-50-UNV-BK	84	6951	5000	120-277	Type V	Black
LL-AEPTS-84-40-UNV-BK	84	6781	4000	120-277	Type V	Black
LL-AEPTS-84-30-UNV-BK	84	6483	3000	120-277	Type V	Black

Accessories Ordering Information

Part #	Description
L	SoftLED LumaLens Opal UV-Stabilized Polycarbonate Array Lens*
SF	Single Fuse *120-277V Only*
DF	Double Fuse *120-277V Only*
SP	Surge Protection
R3	3-Pin Twist Lock Photocell Receptacle
R5	5-Pin Twist Lock Photocell Receptacle
R7	7-Pin ANSI C136.41—2013 Twist Lock Photocell Receptacle
S2	Microwave Sensor with Dimming for Mounting Heights of 8' to 40'. *120-277V Only*
S4	Microwave On/Off Motion Sensor for Mounting Heights of 8' to 19'. *120-277V Only*
SUB "UNV" WITH "480"	480 Volt
P18131	Twist Lock Non-Shorting (Open) Cap Disconnects Service to Fixture for Temporary or Permanent Disabling (Fixture Always Off). IP65, 480V Maximum.
P18132	Twist Lock Shorting Cap Provides Fixed Service to Fixture (Fixture Always on). IP65, Rated Load 7200w Tungsten.
P18140	110-120VAC Instant Twist Lock Photocell
P18152	277VAC Time Delay Twist Lock Photocell
P18156	120-277VAC Universal Twist Lock Photocell
P18157	480VAC Time Delay Twist Lock Photocell. For 480V use only

* Please contact LITELUME for all Custom Option Requests