



Bulkhead Square Half Cutoff



Description

The Litelume Bulkhead Square Half Cutoff (LL-BSHC) is designed to replace HID lighting systems up to 250w MH or HPS. The open door frame allows for maximum light output. Typical applications include office and public buildings, condominiums, schools, shopping malls, and hospitality. Recommended mounting heights are 8 to 20 feet.

Fixture Information

Size:	12W/17W/25W
Housing:	Die Cast Gasketed Aluminum Open Front Frame and Housing with Integral Heat Sinking and Driver Compartment.
Finish:	Textured Architectural Bronze Powdercoat Finish Over a Chromate Conversion Coating.
Lens:	SoftLED LumaLens UV-Stabilized Polycarbonate Opal Vandal-Resistant Lens Eliminates LED Hot Spots
CRI:	80
Temperature:	-40°C to +50°C
Voltage:	Standard: 120-277V
Power Factor:	>.90
Surge Protector:	2 kVA
Warranty:	10-Year Limited Warranty

Performance Data

Lumen Output:

1,458 to 3,667 lm

Lumens Per Watt (typical):

119 to 135 lm/W

CCT:

3000K
4000K
5000K

Lifespan:

187,000 hrs @ 25°C (L70)

Ratings & Certificates

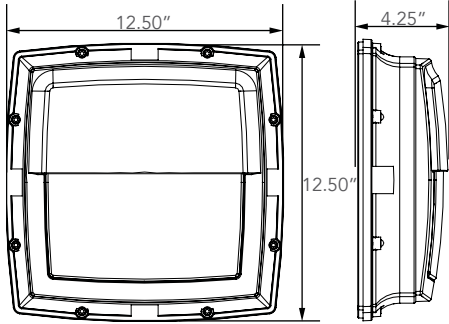
CSA Listed for Wet Locations
IP566 rated



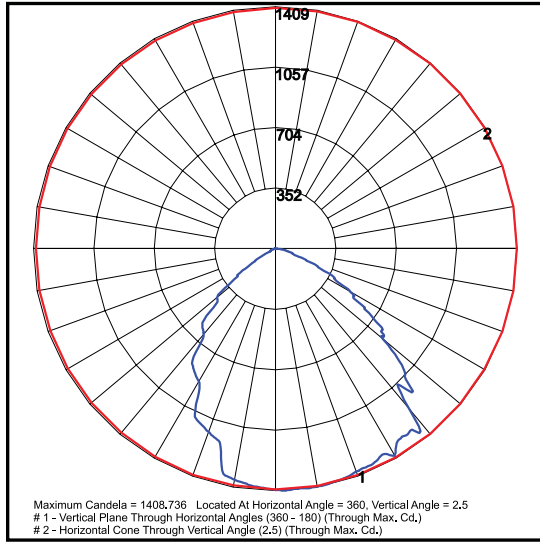


Dimension

Item	Height	Width	Length
12W/17W/25W	4.25"	12.50"	12.50"



Photometric



LL-BSHC-25-50-UNV



Project Name	
Catalog #	
Job Type	
Prepared By	
Notes	

Fixture Ordering Information

Part #	Wattage	Lumens	Kelvin	Voltage	Color
LL-BSHC-12-30-UNV-WH	12	1458	3000	120-277V	White
LL-BSHC-12-40-UNV-WH	12	1535	4000	120-277V	White
LL-BSHC-12-50-UNV-WH	12	1599	5000	120-277V	White
LL-BSHC-17-30-UNV-WH	17	2041	3000	120-277V	White
LL-BSHC-17-40-UNV-WH	17	2149	4000	120-277V	White
LL-BSHC-17-50-UNV-WH	17	2238	5000	120-277V	White
LL-BSHC-25-30-UNV-WH	25	3061	3000	120-277V	White
LL-BSHC-25-40-UNV-WH	25	3223	4000	120-277V	White
LL-BSHC-25-50-UNV-WH	25	3358	5000	120-277V	White
LL-BSHC-12-30-UNV-BZ	12	1458	3000	120-277V	Bronze
LL-BSHC-12-40-UNV-BZ	12	1535	4000	120-277V	Bronze
LL-BSHC-12-50-UNV-BZ	12	1599	5000	120-277V	Bronze
LL-BSHC-17-30-UNV-BZ	17	2041	3000	120-277V	Bronze
LL-BSHC-17-40-UNV-BZ	17	2149	4000	120-277V	Bronze
LL-BSHC-17-50-UNV-BZ	17	2238	5000	120-277V	Bronze
LL-BSHC-25-30-UNV-BZ	25	3061	3000	120-277V	Bronze
LL-BSHC-25-40-UNV-BZ	25	3223	4000	120-277V	Bronze
LL-BSHC-25-50-UNV-BZ	25	3358	5000	120-277V	Bronze

Accessories Ordering Information

Part #	Description
SF	Single Fuse *120-277V Only*
DF	Double Fuse *120-277V Only*
SP	Surge Protection
PC3	Photocell, 120-277V
P10	Pencil Photocell, 120V
P12	Pencil Photocell, 277V
P14	Pencil Photocell, 120-277V
S2	Microwave Sensor with Dimming for Mounting Heights of 8' to 40'. *120-277V Only*
S4	Microwave On/Off Motion Sensor for Mounting Heights of 8' to 19'. *120-277V Only*
BU	Battery Backup, 90 Minutes *120-277V Only*
SUB "UNV" WITH "480"	480 Volt *25W Only*

* Please contact LITELUME for all Custom Option Requests