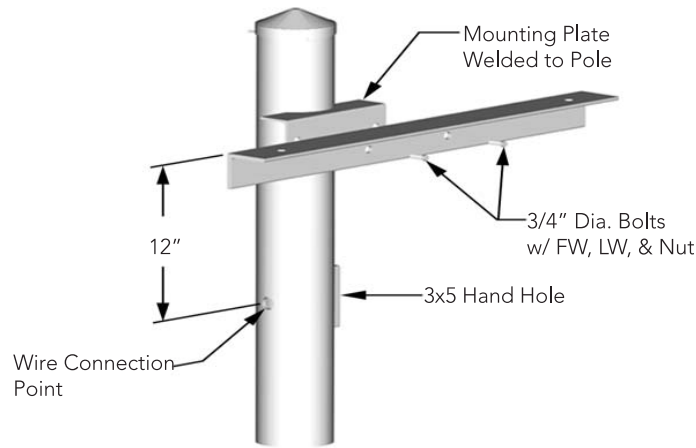


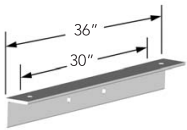


LL-ACR Cross Arm Bracket

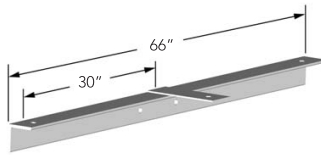
Project Name	
Catalog #	
Job Type	
Prepared By	
Notes	



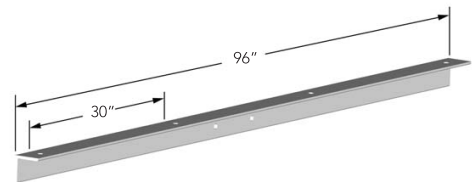
LL-ACR2



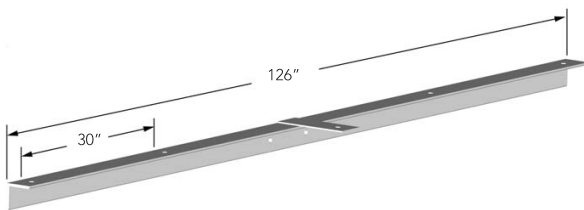
LL-ACR3



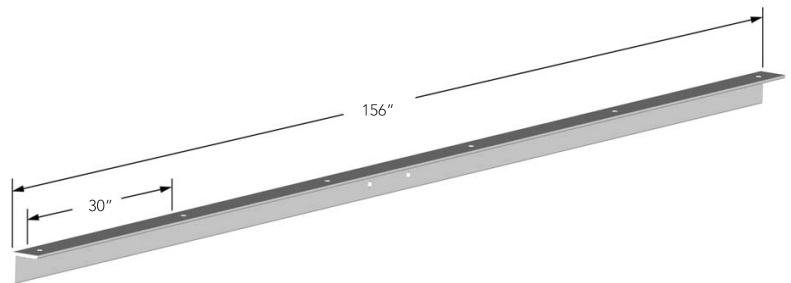
LL-ACR4



LL-ACR5



LL-ACR6



Ordering Information

Catalog Number	EPA (ft ²)	Weight (lbs)
LL-ACR2	1.74	30
LL-ACR3	2.73	47
LL-ACR4	3.97	68
LL-ACR5	5.95	103
LL-ACR6	7.37	127